

Straight-grain Quilt Binding

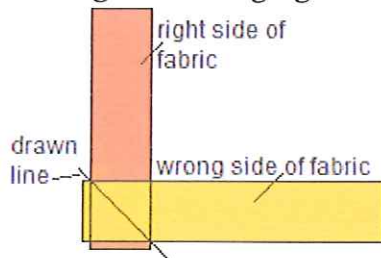
Strips for the binding will be cut from the cross grain (from selvage edge to selvage edge) of the fabric.

Measure two sides of your quilt.

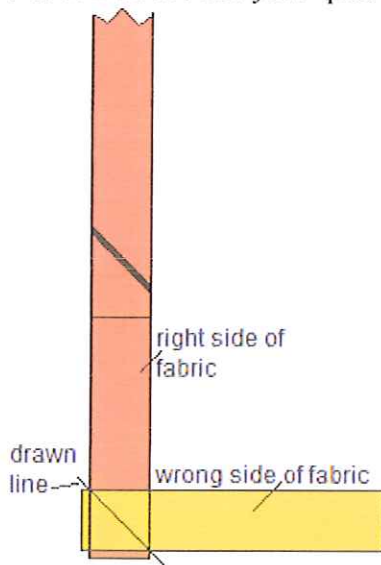
Determine how many strips will be needed for this measurement, double it, and add about 18" for the total length of the binding you will need.

Cut the binding strips at $2\frac{3}{4}$ " wide.

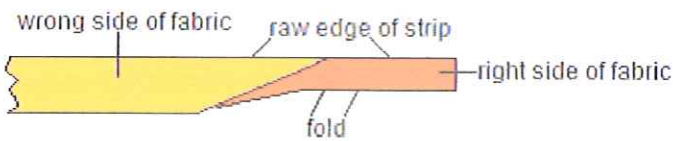
At one end, at right angles, layer one strip over the other – right sides together – and draw a line on the diagonal starting right in the corner.



Continue to connect the next strips of binding together the same way, to make one very long strip that will fit around your quilt top.



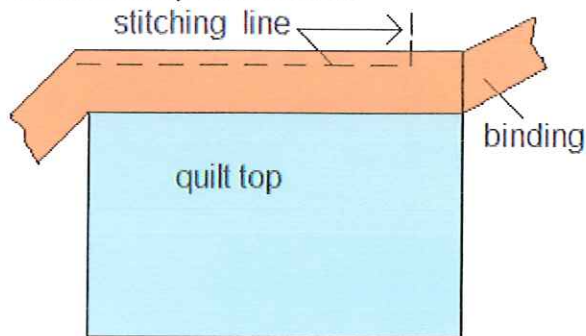
Press the strip in half along the long edge, matching raw edges.



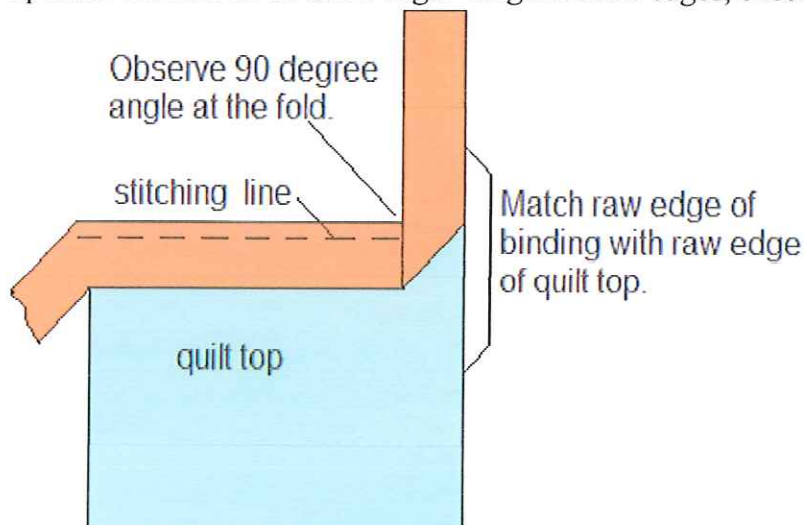
Apply to the quilt following the next instructions.

Sewing on Your Binding

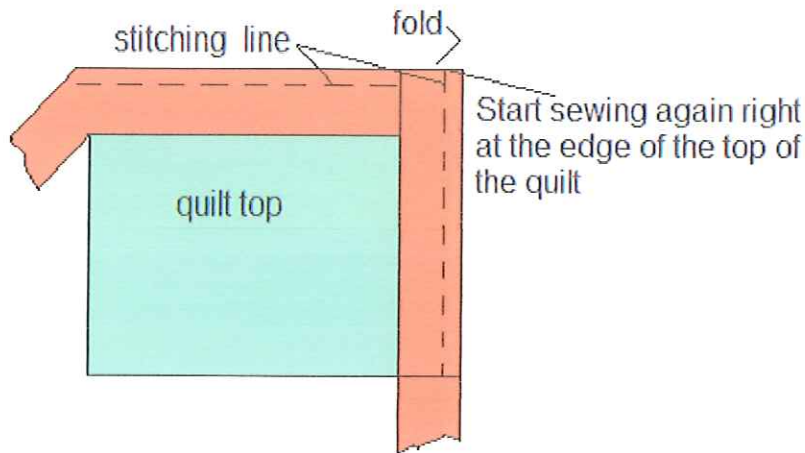
1. Start sewing the binding midway along one side of the quilt, leaving a “tail” of unsewn binding about 12” long and using a $\frac{1}{4}$ ” seam allowance.
2. When you approach the first corner, follow the diagram below.
Stop sewing $\frac{1}{4}$ ” from the edge of the quilt, shown by dotted lines.
3. With needle down in the fabric, turn the quilt 45 degrees and reverse sew off the binding, shown here by dotted lines.



3. Lift presser foot, remove quilt slightly from under the foot. Angle the binding strip straight up from the next-to-be-sewn edge. Align the raw edges; check for a right angle at the fold.



- Bring the binding strip down so that the fold is even with the top edge of the quilt and it is aligned with the raw next-to-be-sewn edge. Place the quilt back under the needle and start sewing again **right at the edge of the quilt at the binding fold**.

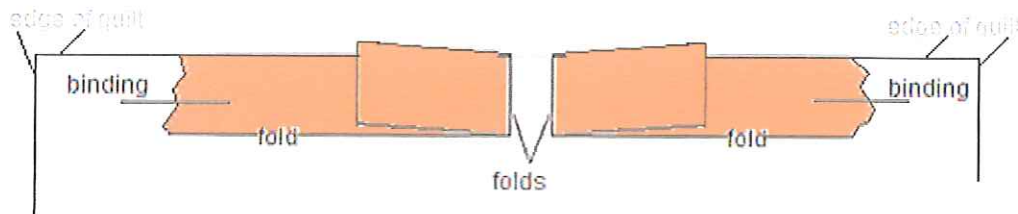


- For each corner, repeat from step 2. Leave about a 14" gap unsewn on the last side. Follow instructions below for finishing the binding.

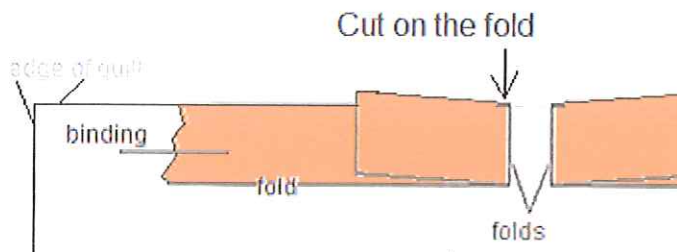
Finishing Your Binding

Leave a 14"-16" UNSEWN GAP when sewing the binding strips to the quilt top.

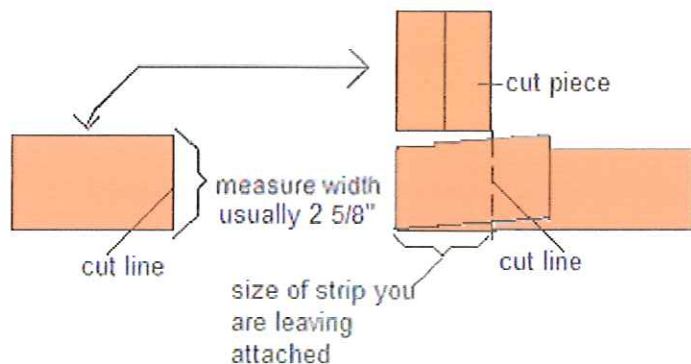
- In middle of the last side of the quilt, fold back loose binding from both sides leaving 1/8 inch gap.



- Then cut one side on the foldback.

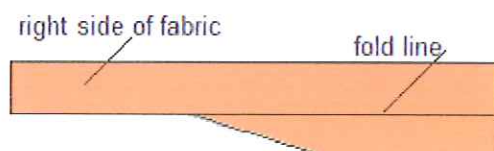


3. Use the width of this piece which has been cut off to measure from the fold of the other side, cut that loose end.

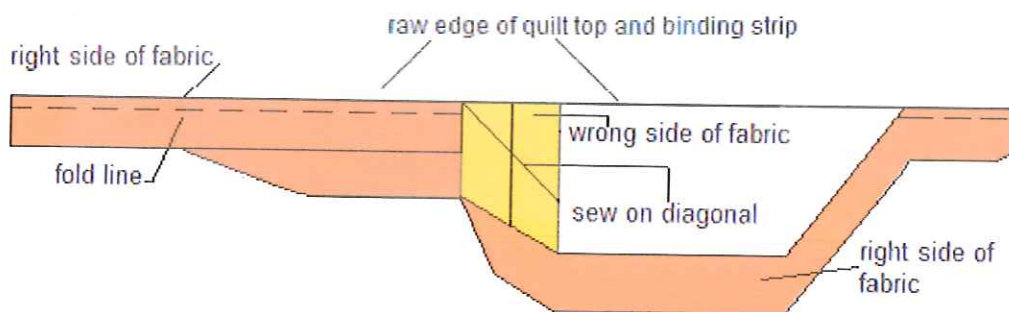


(Be sure to only cut the loose end, not the part sewn to the quilt!)

4. Lay left side down flat, being careful not to twist, with right side up.



5. The binding strip for the right side of the quilt is placed wrong side up (being careful not to twist) over left side binding strip, at a 90 degree angle. It should be even with the upper edge of the left side binding strip and the quilt top, with its cut edge pointing up. (This is where the extra 15"-16" 'tails' and the 12" gap will help you manipulate the fabric easier.)



6. Pin this and check to make sure it is not twisted before stitching.

7. Draw a line on the diagonal as shown above. Sew on the drawn line and trim off the excess leaving a 1/4" seam allowance

7. Open and check again before trimming seam. Finish sewing binding to the quilt.

