

Instructions for using



SINGER

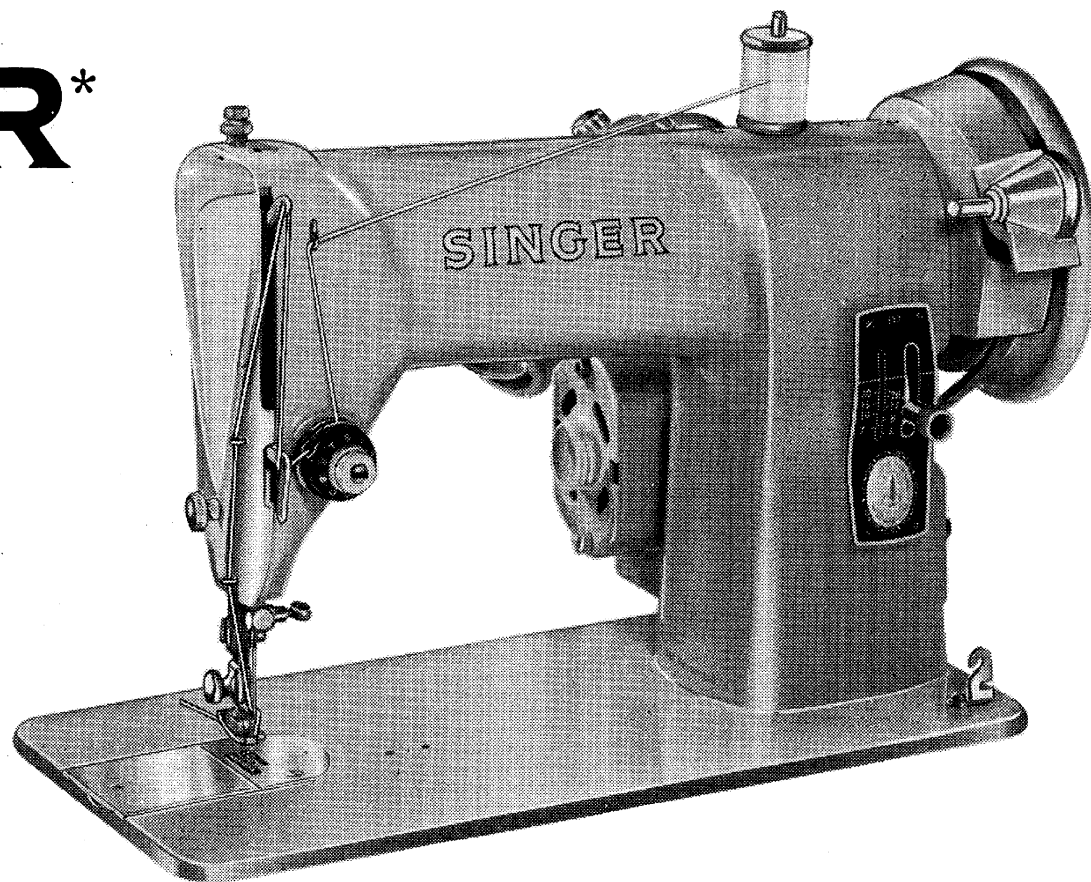
Sewing Machine 185 J&K

Instructions for using

SINGER*

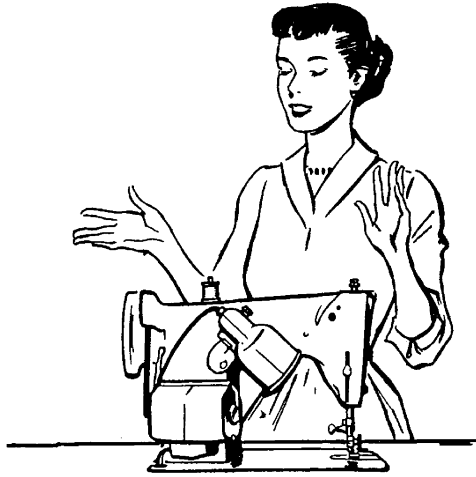
185*

Another in a long line of
quality products by SINGER!



Copyright © 1958 by The Singer Company

*A Trademark of THE SINGER COMPANY



AS THE OWNER OF THE SINGER 185J

you have a beautifully styled, smooth running machine which offers you a new world of sewing enjoyment. Exclusive dresses for yourself, clothing for your family, and numerous items for the home—all will be yours at a fraction of their ready-made cost.

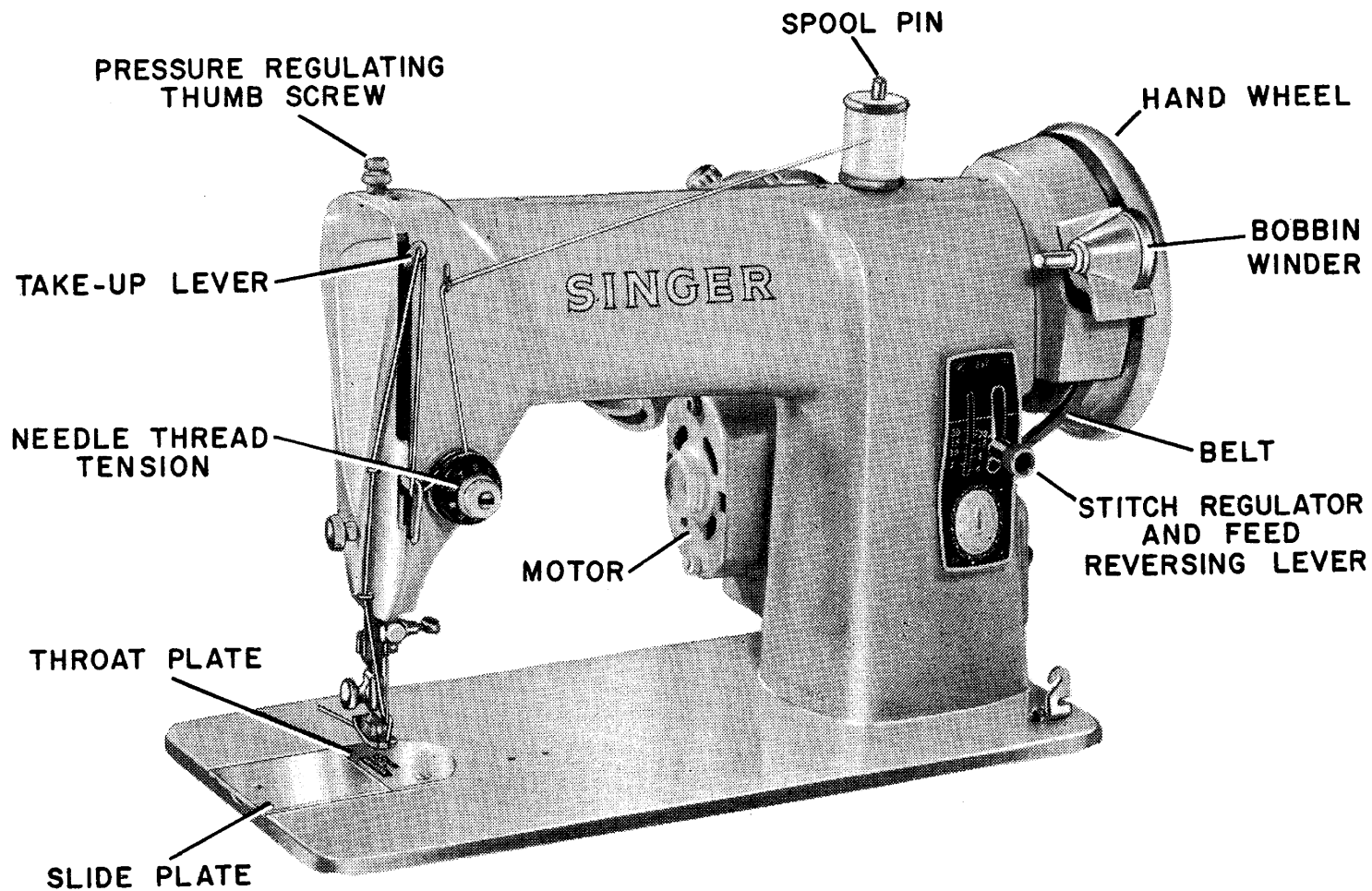
SINGER* SERVICE

SINGER is interested in helping you keep your machine in top running condition. That's why you should always call your SINGER SEWING CENTER if ever your machine requires adjustment or repair. Only from a SINGER SEWING CENTER can you obtain the services of trained repair men plus warranted SINGER* parts.

Look for the famous red "S" and SINGER Trademarks at your SINGER SEWING CENTER. See phone book under SINGER CO. for address nearest you.



PRINCIPAL PARTS OF MACHINE 185J



FABRIC, THREAD, NEEDLE AND STITCH LENGTH CHART

TYPES OF FABRICS	THREAD SIZES	NEEDLE SIZES	MACHINE STITCH SETTINGS FOR STRAIGHT SEWING	
			INSIDE SEAMS	TOP STITCHING
Filmy materials comparable to Net, Marquissette, Chiffon, Silk and Chiffon Velvets, Voiles, Ninon	50 Embroidery 100 Cotton Synthetic Thread	9	15 to 20	15 to 20
Sheer materials comparable to Lawn, Dimity, Synthetic Sheers, Paper Taffetas, Pure Silks, Gossamer Silks, Silk or Synthetic Tricots, Synthetic Velvets, Satins	50 Embroidery 80 to 100 Cotton Synthetic Thread	11	12 to 15	15 to 20
Lightweight materials comparable to Gingham, Chambray, Pique, Poplin, Percalé, Cretonne, Chintz, Faille, Bengaline, Wool Flannel, Wool Jersey, Wool Crepe, Cotton Velvets and Velveteens, Lightweight Suitings	50 Mercerized 60 to 80 Cotton A Silk	14 or 16	12	15 to 18
Medium heavy materials comparable to Corduroy, Crash, Gabardine, Rep, Heavy Suitings and Coatings	Heavy Duty Mer. 40 to 60 Cotton Synthetic Thread	16	10	12
Heavy materials comparable to Sailcloth, Denim, Ticking, Overcoatings	20 to 40 Cotton Thread	18 19 or 21	8	10
Plastic Materials	50 Embroidery Synthetic Thread 50 Mercerized	11 or 14	10	12

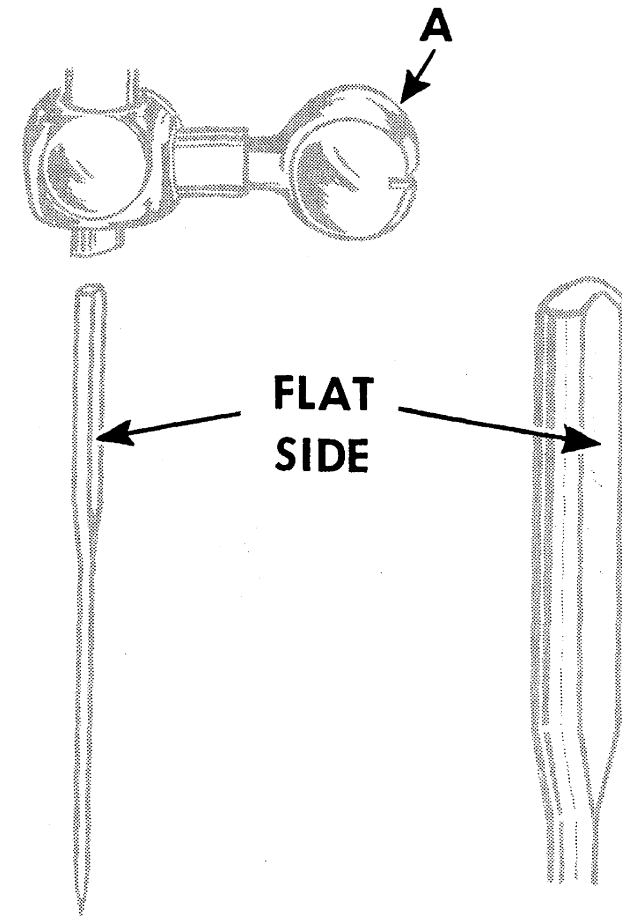
NEEDLES AND THREAD

This machine uses needles 15 x 1
(Catalog 2020),
Sizes 9, 11, 14, 16, 18, 19 and 21

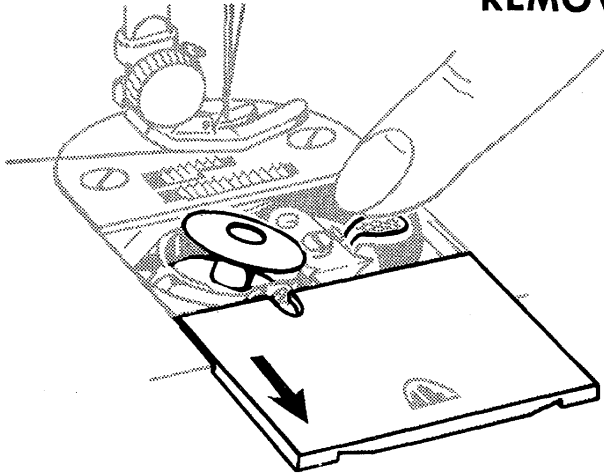
For perfect stitching, choose needle and thread which correspond to the fabric according to the chart on **page 4**. Be sure to use like threads for both needle and bobbin.

NEEDLE INSERTION

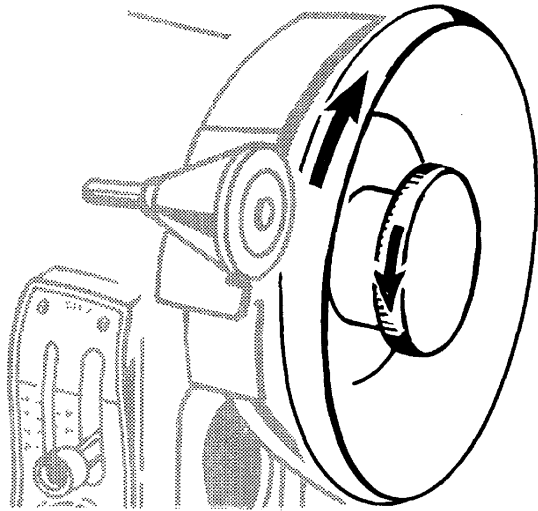
- Raise needle bar to its highest point.
- Loosen clamp screw **A**.
- Insert needle (flat side to the right) up into needle clamp as far as it will go.
- Tighten clamp screw **A**.



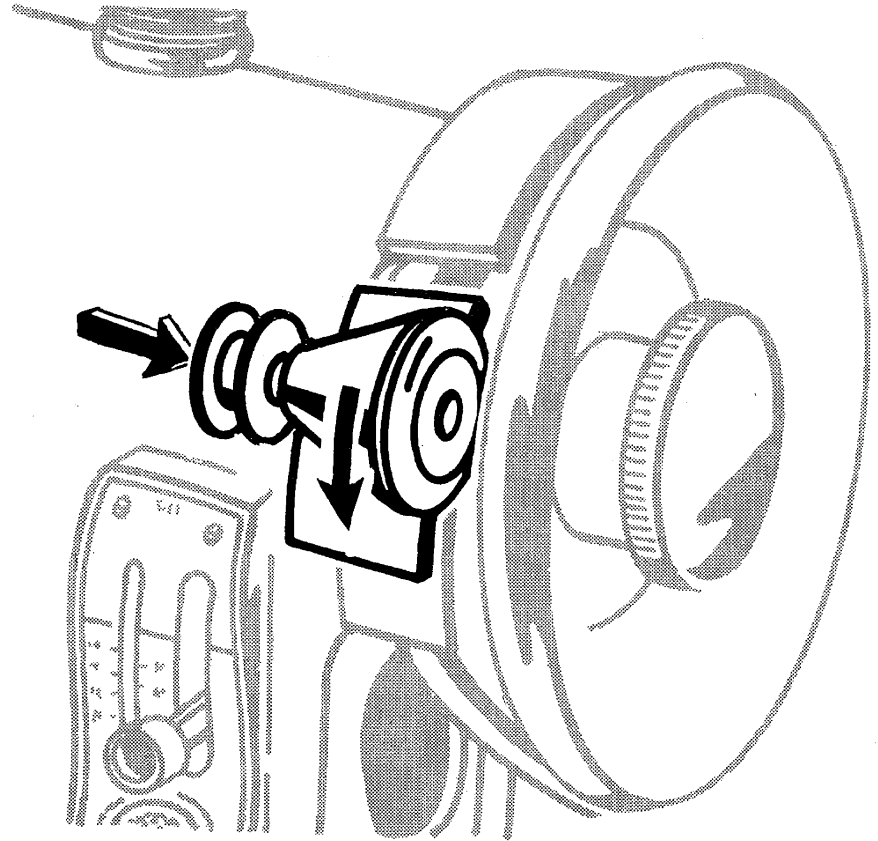
REMOVING AND WINDING THE BOBBIN



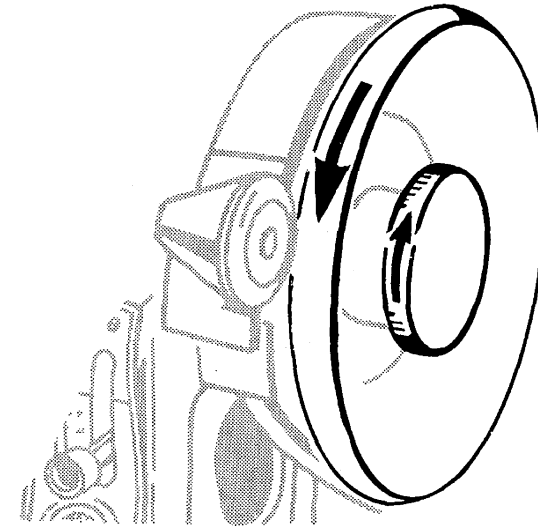
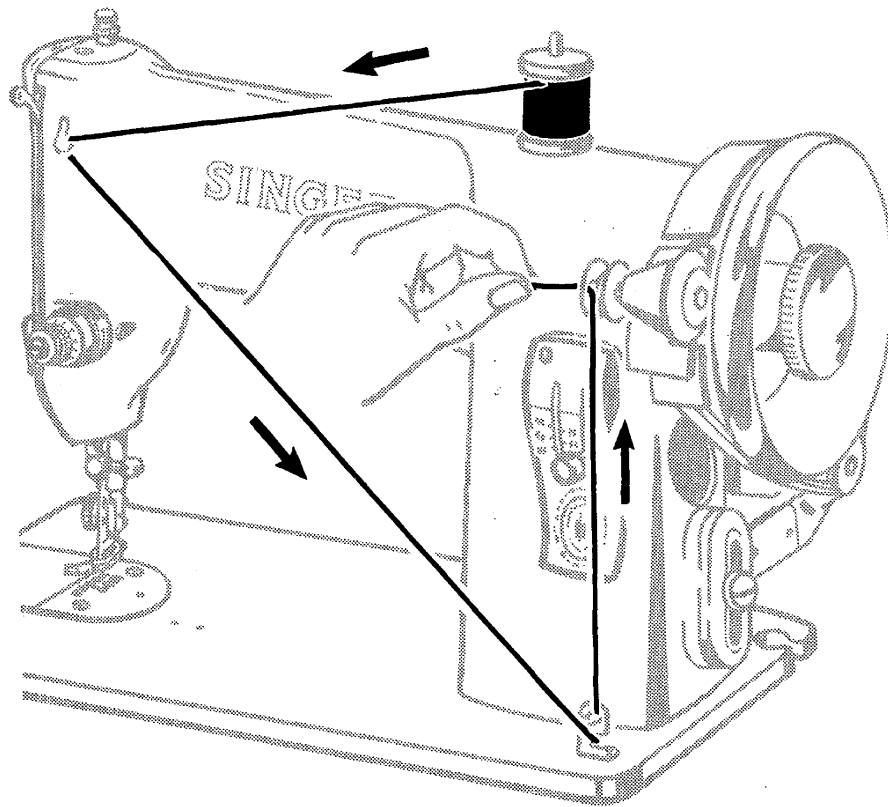
- Raise needle to its highest point.
- Open slide plate.
- Press bobbin ejector and lift out bobbin.



- Loosen stop motion screw.



- Place empty bobbin on spindle.
- Press bobbin winder down against hand wheel.



When bobbin is full—

- Stop machine.
- Lift bobbin winder away from hand wheel.
- Remove bobbin.
- Tighten stop motion screw.

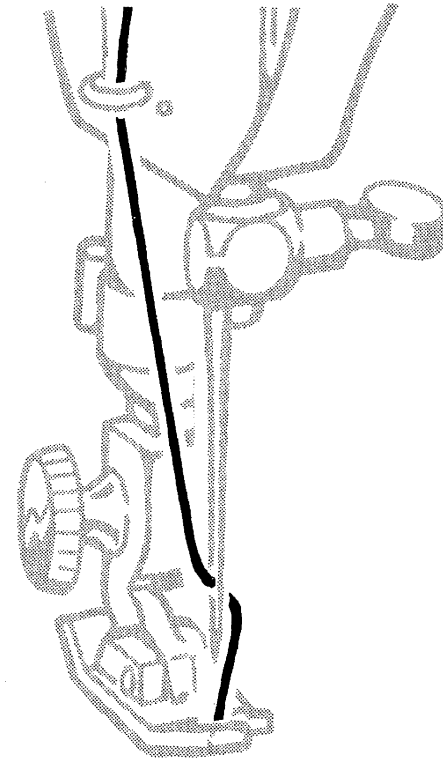
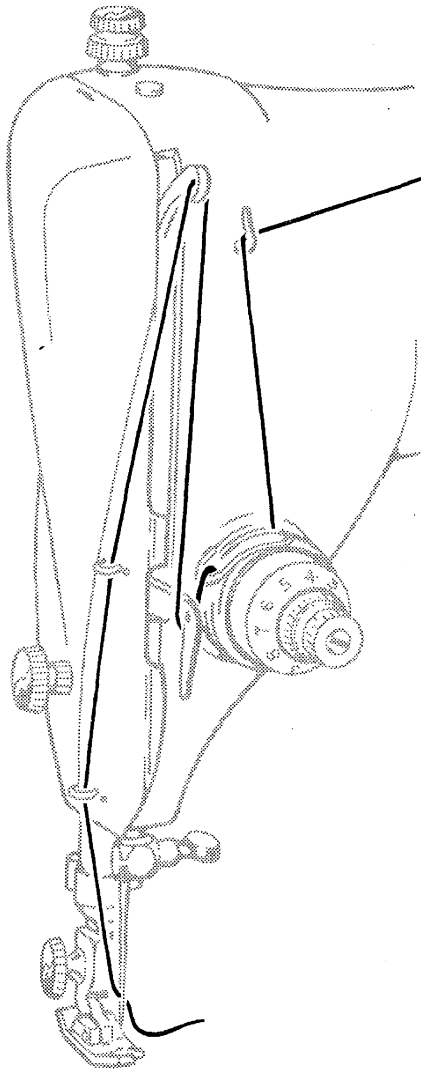
If thread doesn't wind evenly on bobbin—

- Loosen the screw which holds thread guide to bed of machine.
- Turn guide to left if bobbin winds high on right.
- Turn guide to right if bobbin winds high on left.

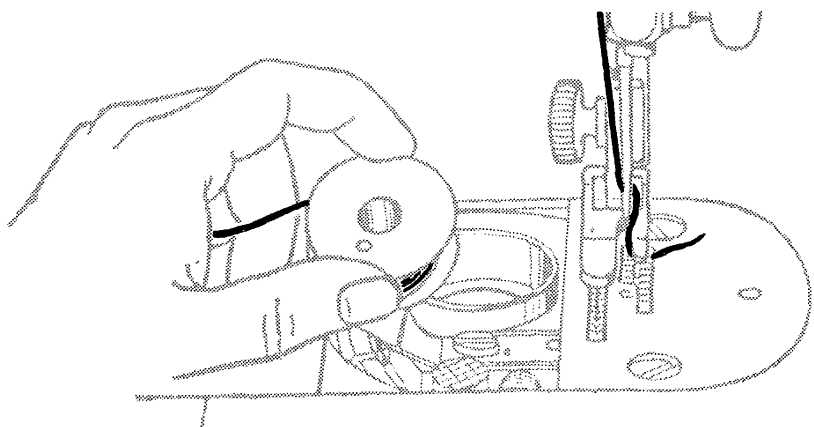
- Place spool of thread on spool pin.
- Thread machine as shown above.
- Hold end of thread and start machine. (End of thread will break off after a few coils have been wound on bobbin.)

UPPER THREADING

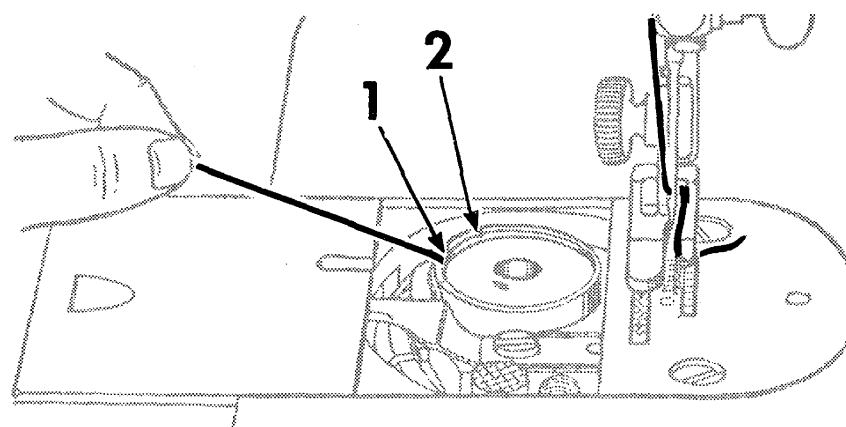
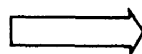
- Raise take-up lever to its highest point.
- Place spool of thread on spool pin.
- Thread machine as shown at left.
- Thread needle from left to right as shown below.



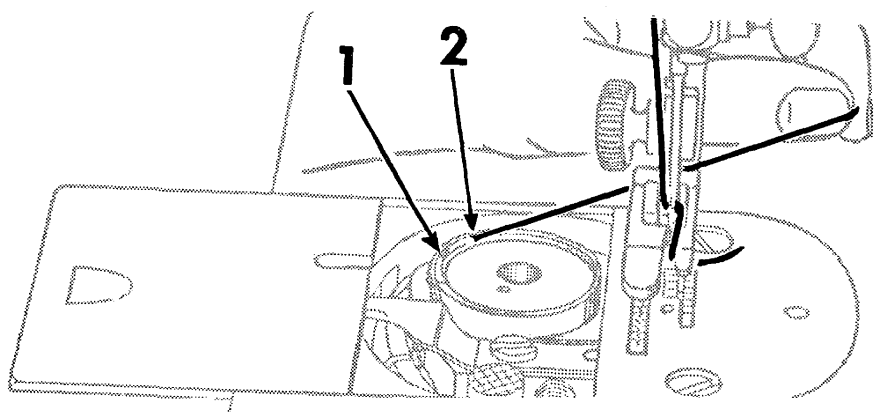
REPLACING THE BOBBIN AND THREADING THE BOBBIN CASE



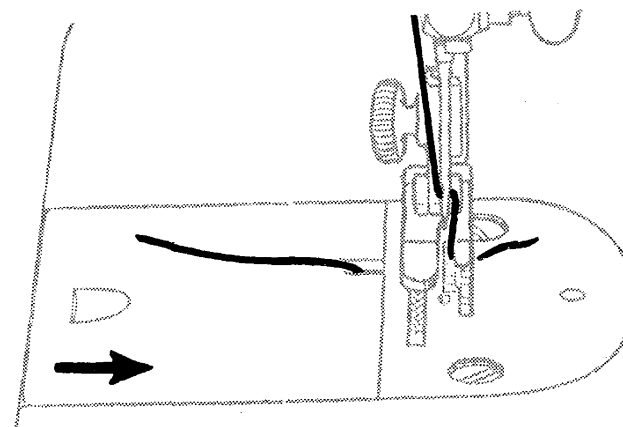
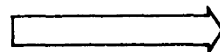
- Hold bobbin so that thread leads off in direction shown.



- Place bobbin in case and draw thread into slot 1.

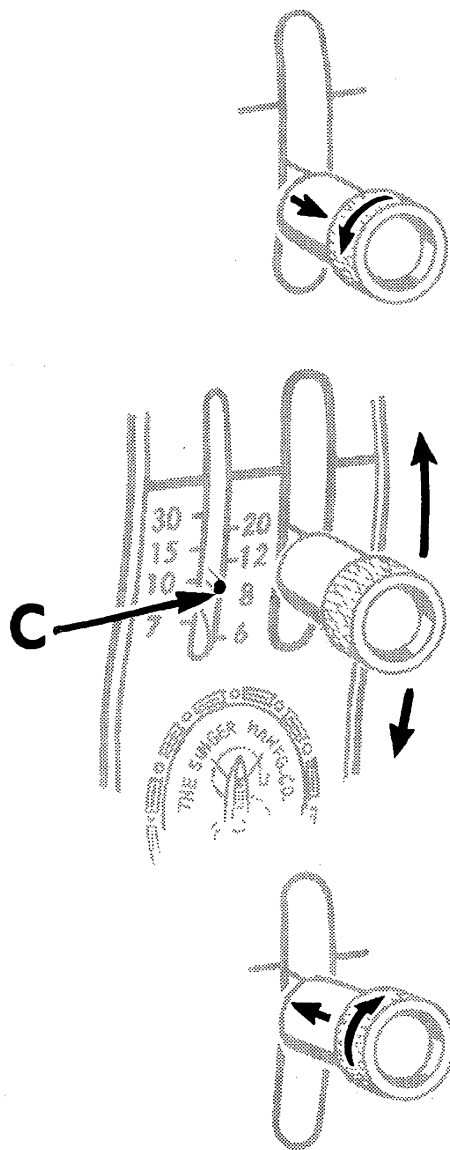


- Draw thread between case and tension spring until it reaches notch 2.
- Pull about 3 inches of thread across bobbin.



- Close slide plate, allowing thread to enter notch in slide plate.

STITCH LENGTH REGULATOR



Numerals on the indicator plate represent approximate number of stitches per inch.

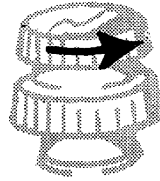
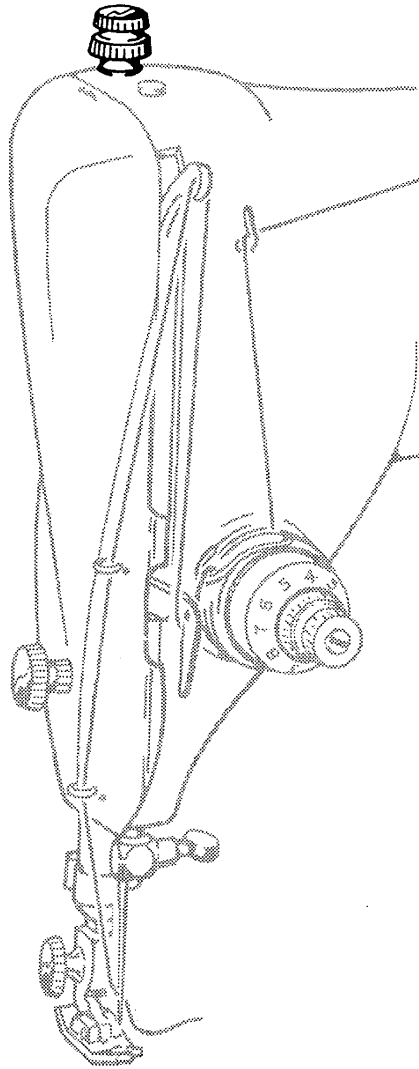
The “red dot” **C** indicates the stitch setting.

To set stitch length—

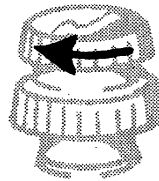
- Turn thumb nut to the left.
- Move lever until “red dot” **C** is at desired stitch setting.
- Turn thumb nut to the right until it rests against indicator plate.

Once thumb nut is against indicator plate, reverse stitching is accomplished by raising lever to its highest position.

PRESSURE ADJUSTMENTS



- To decrease pressure, turn thumb screw up.



- To increase pressure, turn thumb screw down.

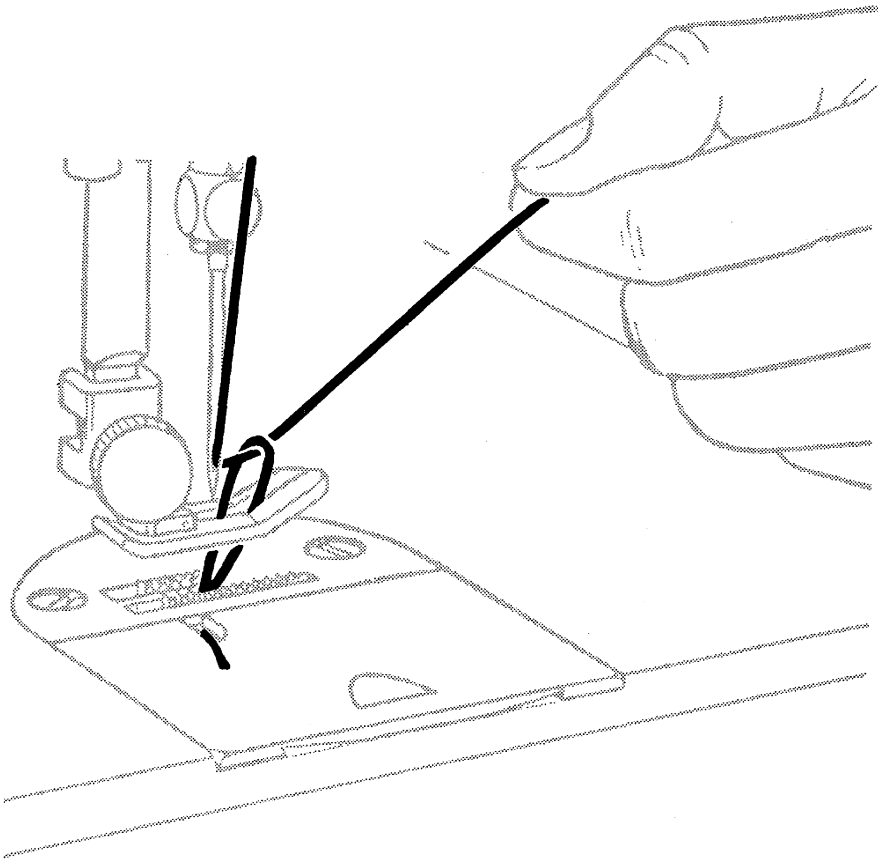
Pressure is the force the presser foot exerts on the fabric.

Too light a pressure will cause irregular feeding, which affects both quality of stitch and evenness of seams.

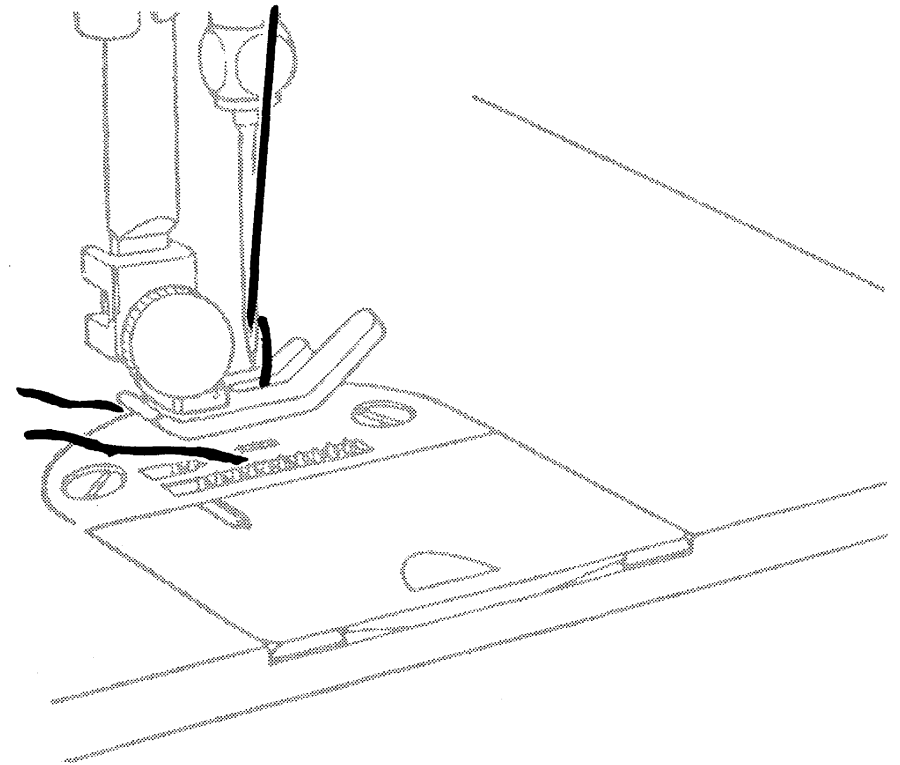
Too heavy a pressure not only affects stitch and seam quality, but will mar smooth surfaces and pile fabrics.

Surface finish, as well as weight and texture of the fabric, must be considered when determining the amount of pressure needed.

PREPARING TO SEW

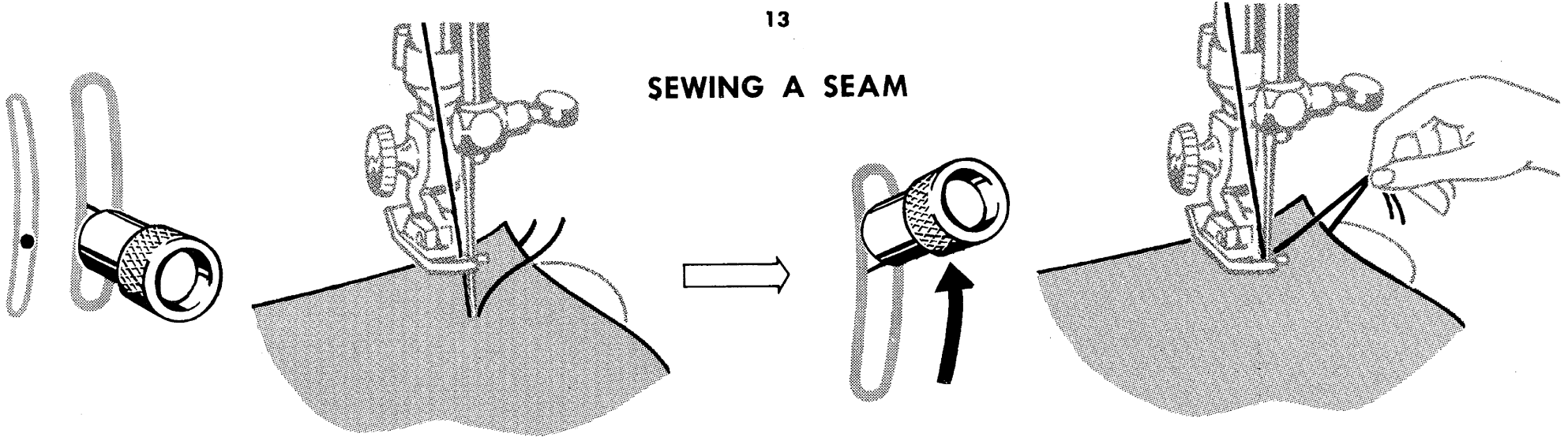


- Have take-up lever at its highest point.
- Hold needle thread lightly with left hand.
- Turn hand wheel so that needle enters plate and brings up bobbin thread.



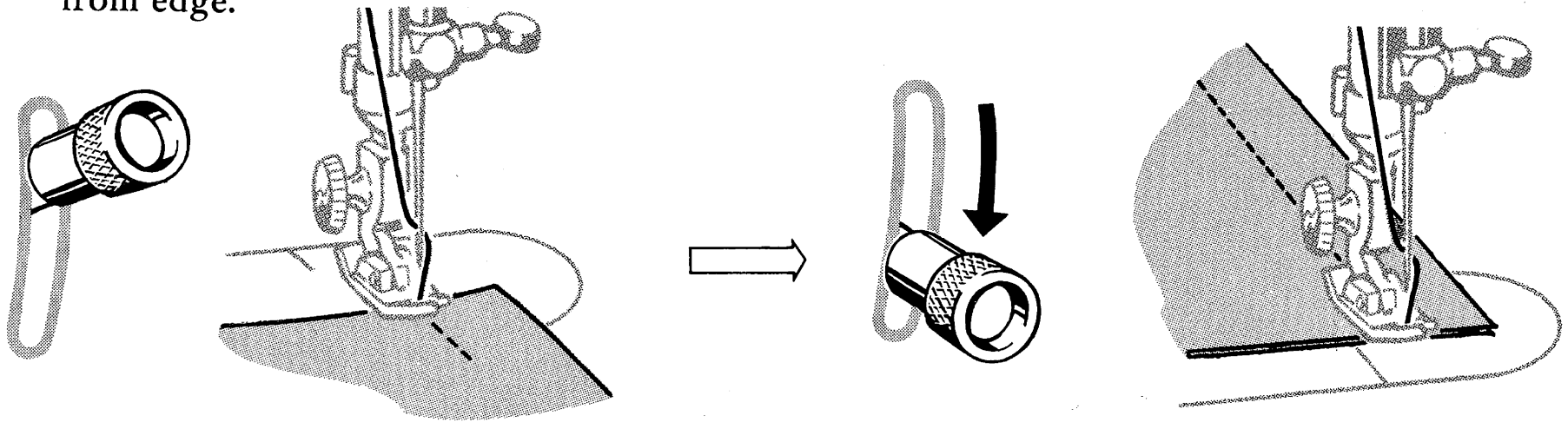
- Pull end of bobbin thread up through needle hole in plate.
- Lay both threads diagonally under presser foot.

SEWING A SEAM



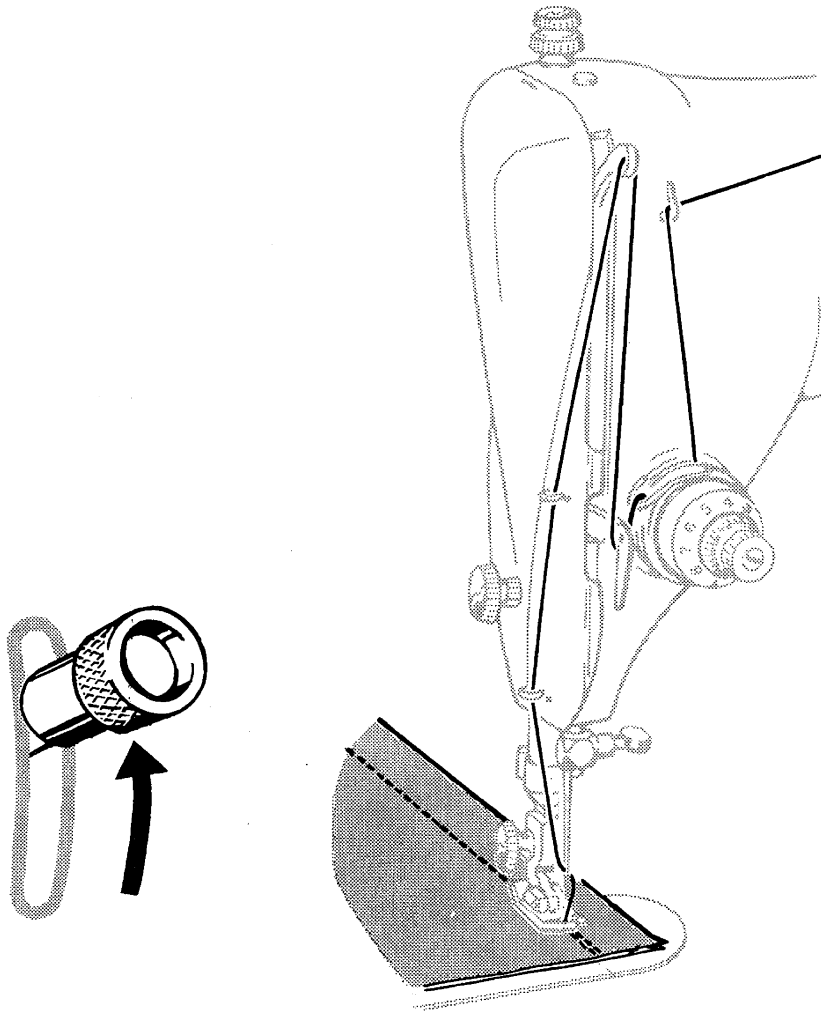
- Set for desired stitch length.
- Position needle in fabric about $\frac{1}{2}$ inch from edge.

- Raise stitch regulator to reverse.
- Lower presser foot.

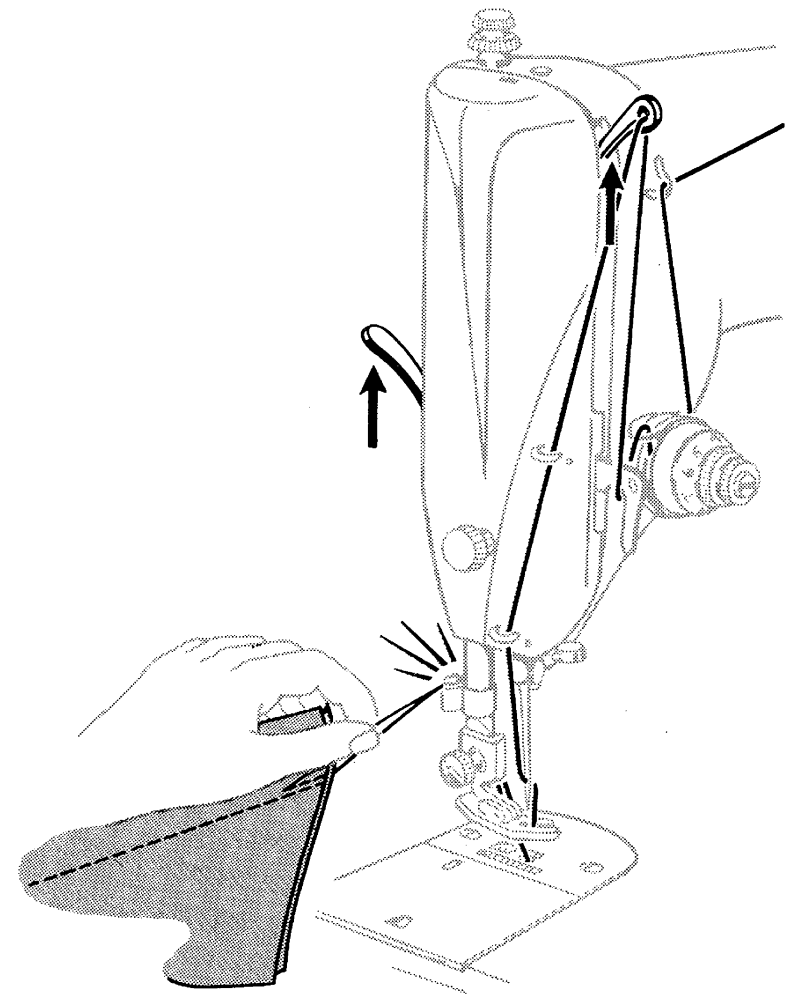


- Back stitch to edge of fabric for reinforcement.

- Lower stitch regulator for forward stitching of seam.

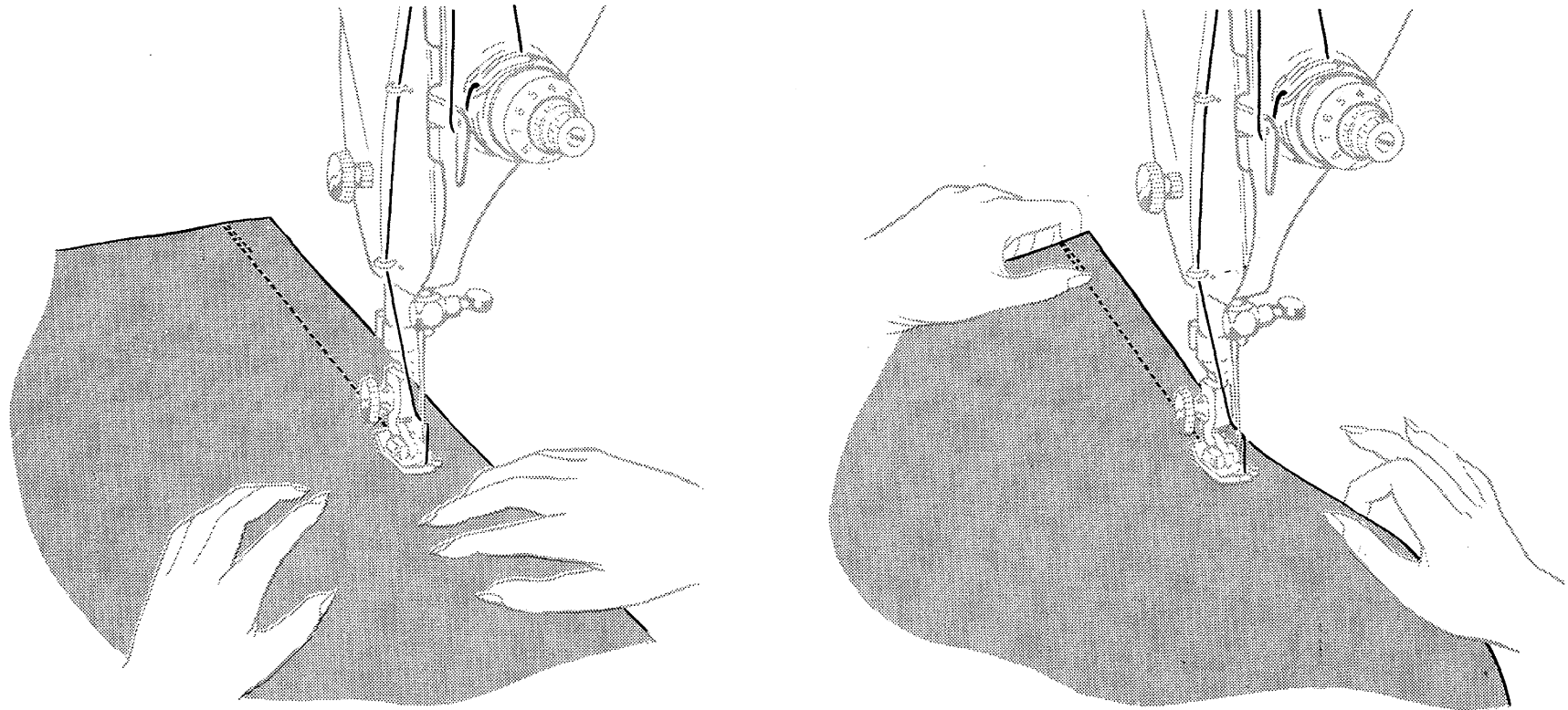


- Raise stitch regulator and back stitch to reinforce end of seam.



- With take-up lever at its highest point, raise presser foot, draw fabric back and cut threads on thread cutter.

GUIDING AND SUPPORTING FABRICS

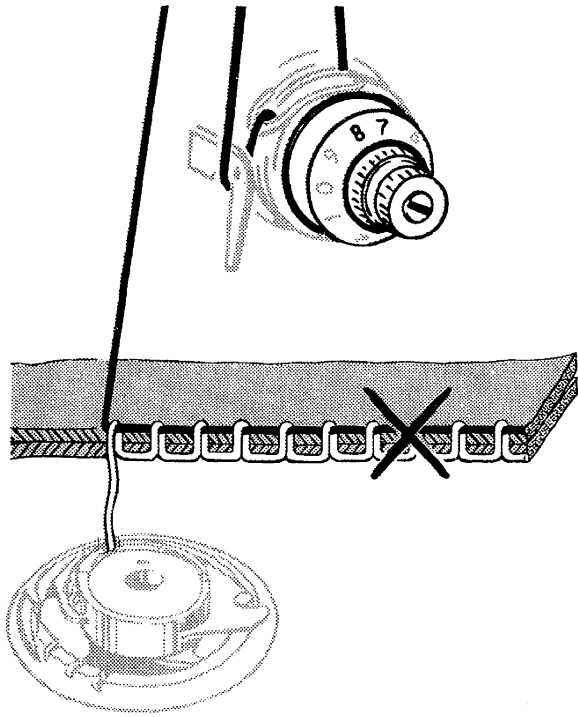


Most fabrics need only to be guided in front of the presser foot.

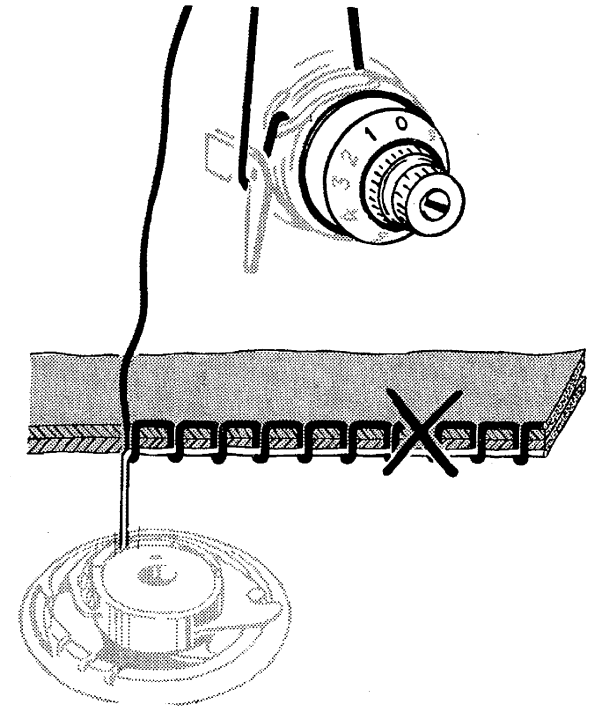
Fabrics of unusual texture and weave, filmy sheers, crepes, knits, tricots, etc., require support while being stitched.

For such fabrics apply gentle tension on the seam by holding fabric in front and in back of the presser foot.

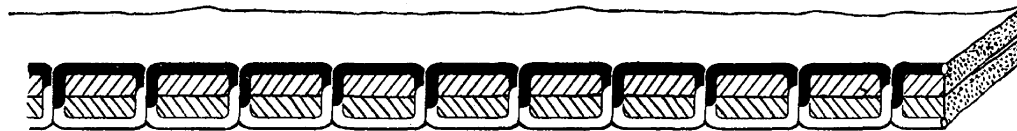
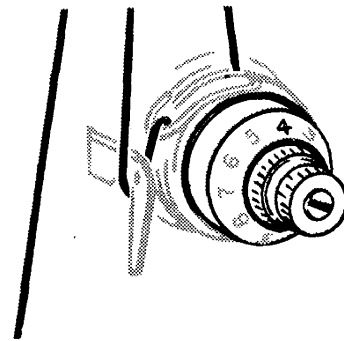
NEEDLE THREAD TENSION



Needle thread tension too tight—correct by setting dial to lower number.

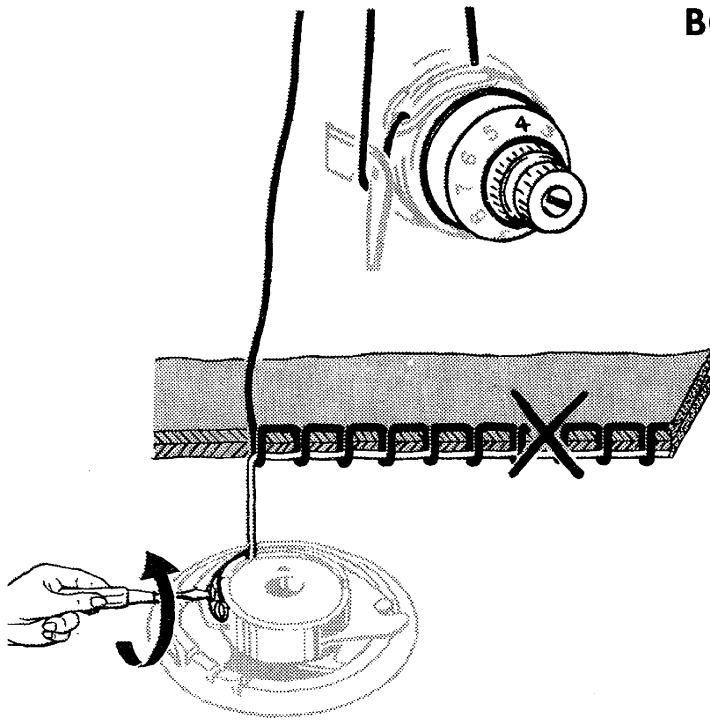


Needle thread tension too loose—correct by setting dial to higher number.

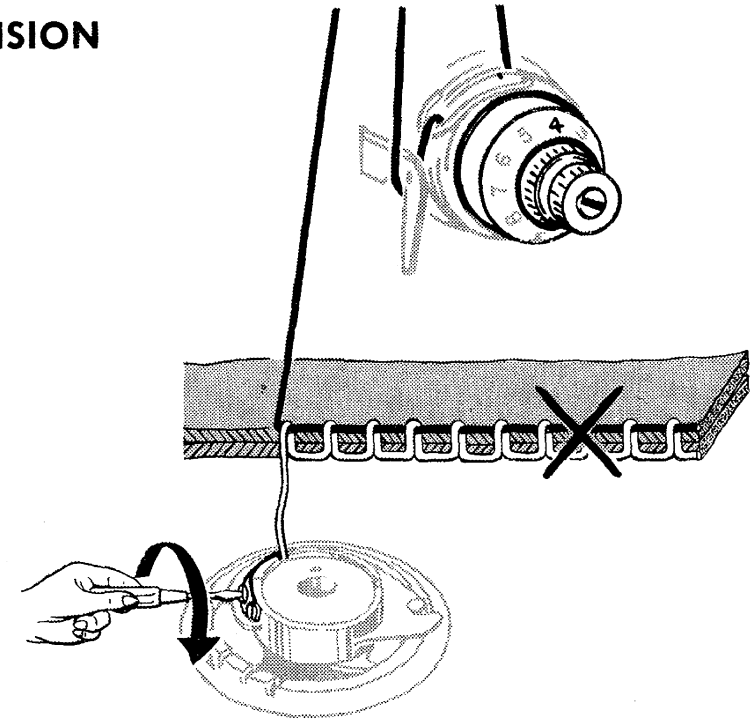


A perfectly formed stitch results when both tensions are balanced so that the needle and bobbin threads are drawn equally into the fabric.

BOBBIN THREAD TENSION



Bobbin thread tension too tight—correct by turning screw in direction indicated.



Bobbin thread tension too loose—correct by turning screw in direction indicated.



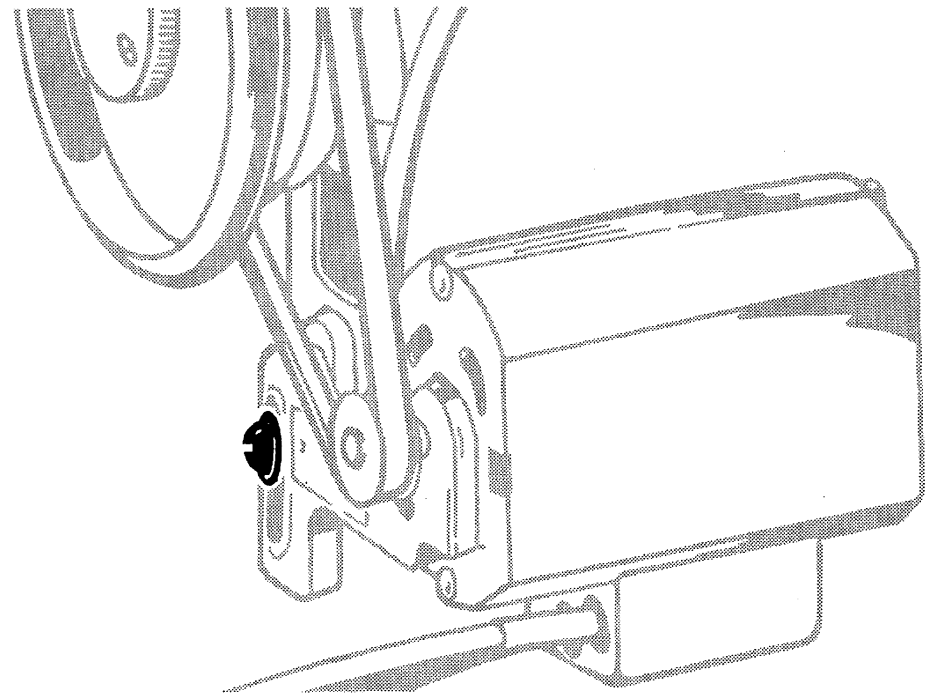
A perfectly formed stitch results when both tensions are balanced so that the needle and bobbin threads are drawn equally into the fabric.

BELT TENSION

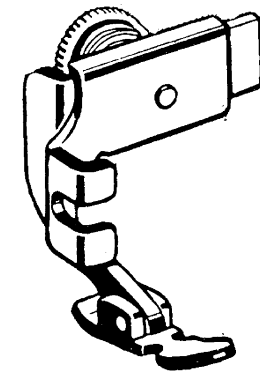
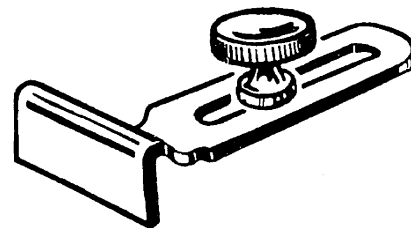
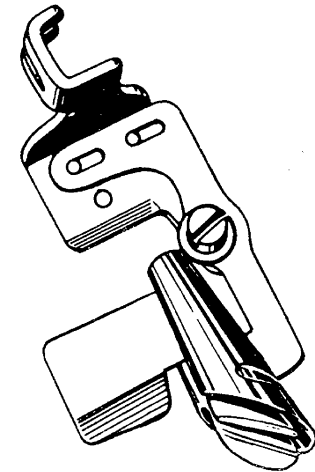
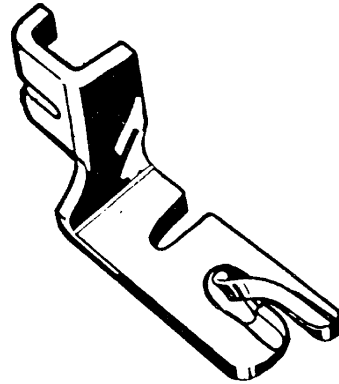
Tension on the belt should be only heavy enough to keep the belt from slipping.

To adjust—

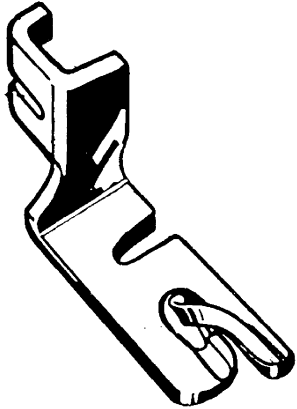
- Loosen bracket screw a full turn.
- Allow weight of motor to supply correct belt tension.
- Tighten bracket screw.



**INSTRUCTIONS
FOR USING
ATTACHMENTS**



THE FOOT HEMMER



The foot hemmer forms and stitches a perfectly turned hem without basting or pressing. It is attached to the machine in place of the presser foot.

Applications

Fine hems
Edging ruffles
Sheer seams

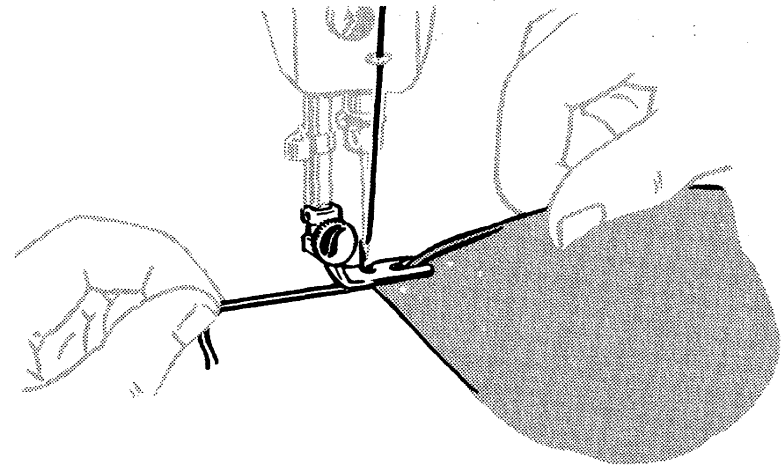
Hemming with lace
Lace insertion
Lingerie finishes

Hemming

- Form a double $\frac{1}{8}$ " fold at the very edge of the fabric.
- Crease this fold for about 2".
- Draw the needle and bobbin threads under the hemmer.

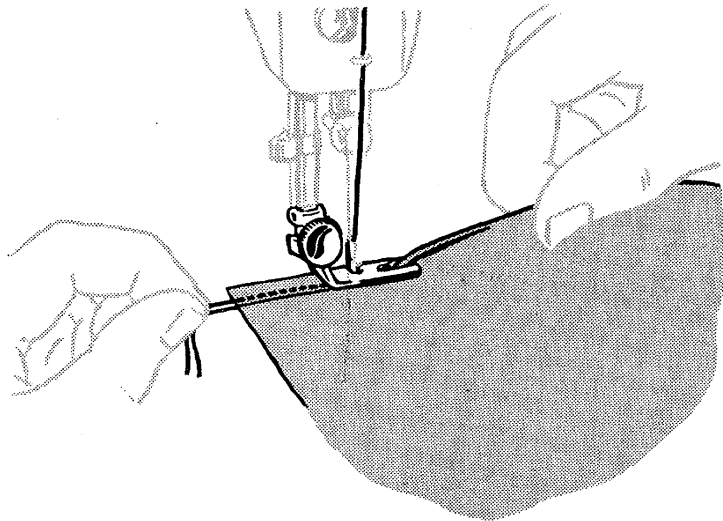
- Place the creased hem edge under the foot and take several stitches through the fold.
- Grasp the thread ends and the single fold in front of the hemmer and lift the single fold into the hemmer scroll.

Soft fabrics will enter the scroll best with the foot down, firm crisp fabrics with the foot raised.



- Stitch slowly for several inches until hem is well started. Hold thread ends in back of foot with the left hand and guide the raw fabric edge into the mouth of the scroll with the right hand.

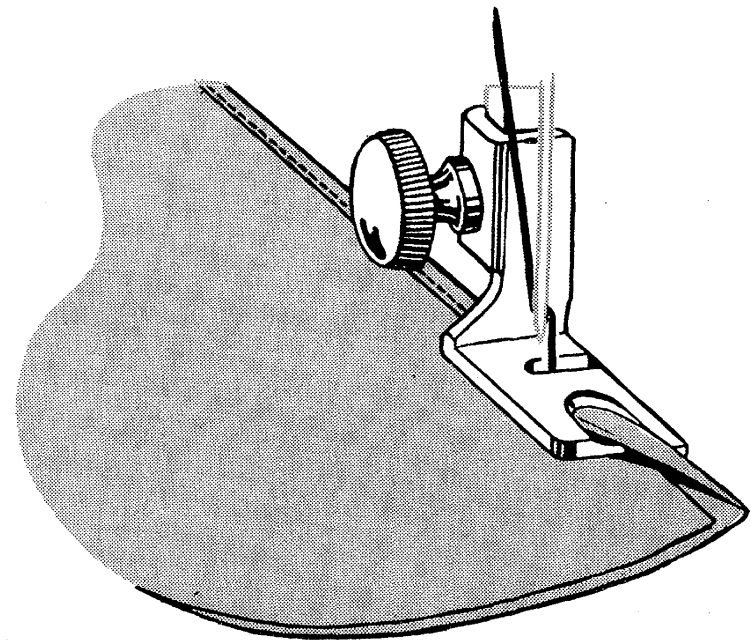
Even feeding is essential to good hemming. The same width of fabric must be kept in the scroll of the hemmer at all times.



Hemmed Seams

Hemmed seams are often substituted for French seams where a fine narrow seam is appropriate.

- Allow a scant $\frac{1}{4}$ " seam allowance.
- With right sides of the fabric together, place the upper layer a scant $\frac{1}{8}$ " to the left of the lower layer.
- Insert the two fabric edges into the hemmer and proceed as for a plain hem.



Hemming With Lace

Most of the popular kinds of lace edging and insertion can be applied with the foot hemmer. It is an excellent way to trim children's clothes and to finish lingerie hems.

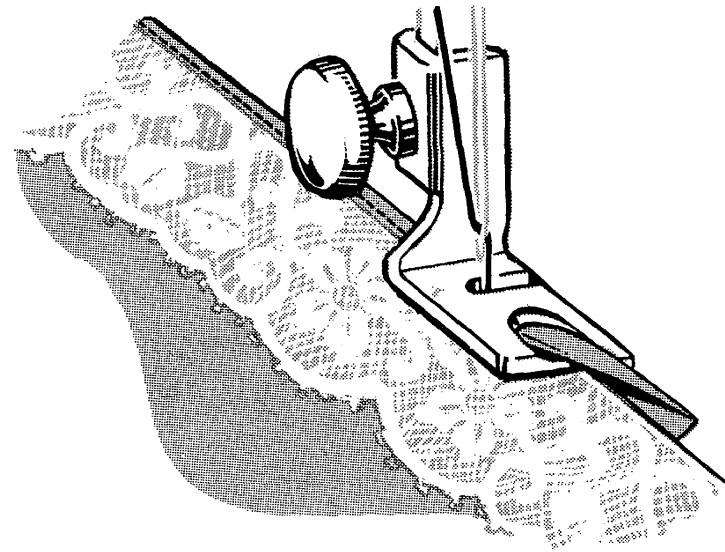
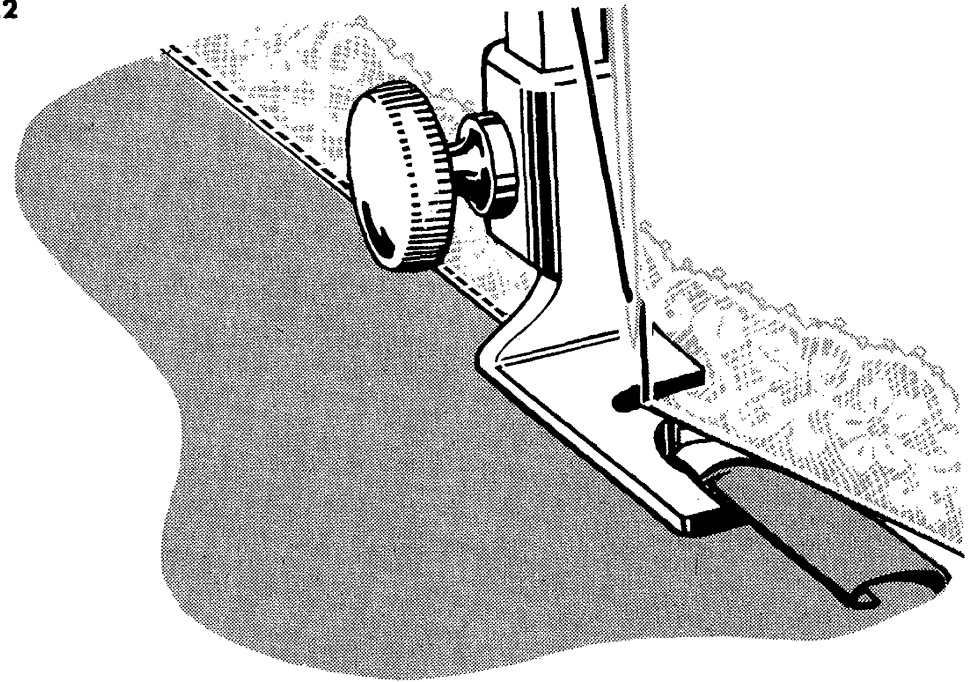
Lace Applied Over Hem

- Fold and start hem in usual way.
- Starting about 1 inch down from end of lace, place selvage under the needle, then lower the needle to hold lace firmly.
- Raise hemmer foot slightly and slip lace under back part of foot.
- Stitch slowly, guiding fabric with right hand and lace with left hand. Take care not to stretch the lace.

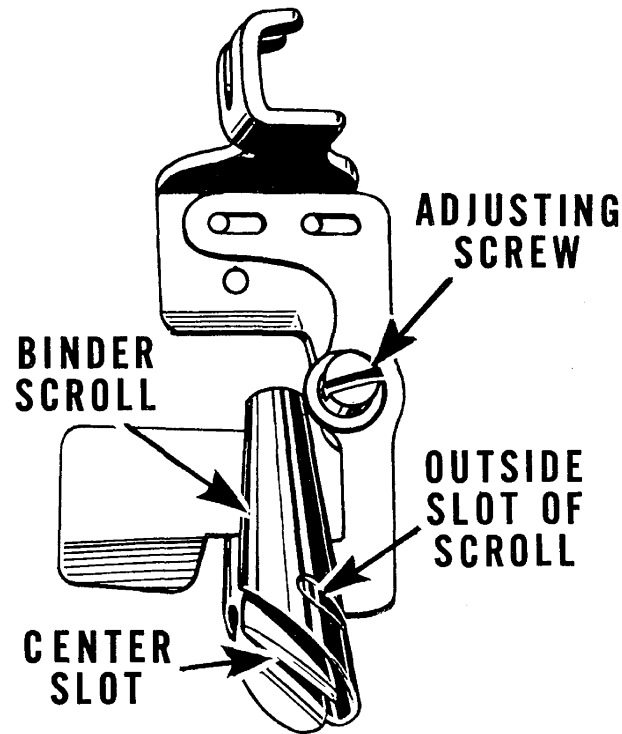
Lace Applied Under Hem

When using lace underneath the fold of a hem, the procedure is the same as when making a hemmed seam (page 21). Slip the lace in from the left as you would the second piece of fabric.

This method is used where a neat finish is desired on both sides of the material.



THE BINDER



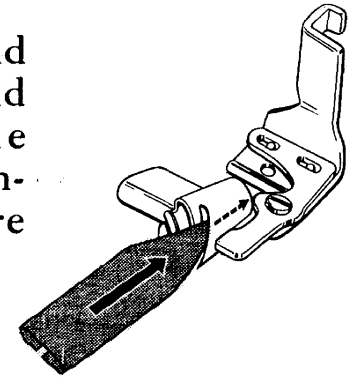
The binder is used to apply commercial binding as well as self-fabric bias to an unfinished edge.

This colorful trim is attractive when applied to children's wear, aprons and fabric furnishings. It is a practical finish for seam edges that ravel and for making bound seams.

Inserting the Binding

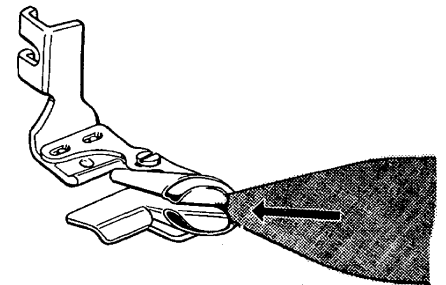
Pre-folded commercial bias binding is inserted from the right into the outside slot of the binder scroll.

- Cut the binding diagonally to form a long point.
- Insert the pointed end into the slot and pull through the scroll until the evenly folded edges are under the needle.



Self-fabric bias binding should be cut $\frac{15}{16}$ " wide on the true bias.

- Insert the unfolded binding directly into the two folds at the end of the scroll and draw it back under the needle.



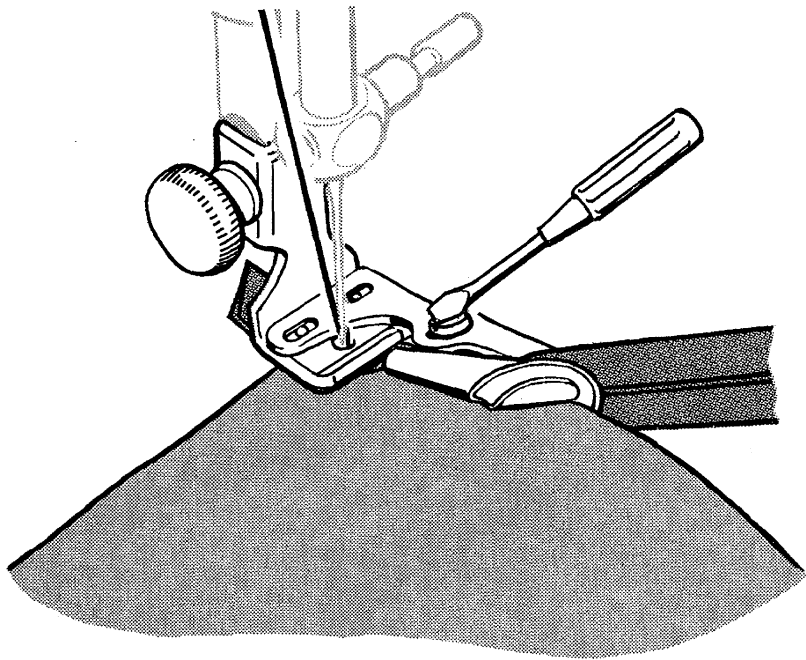
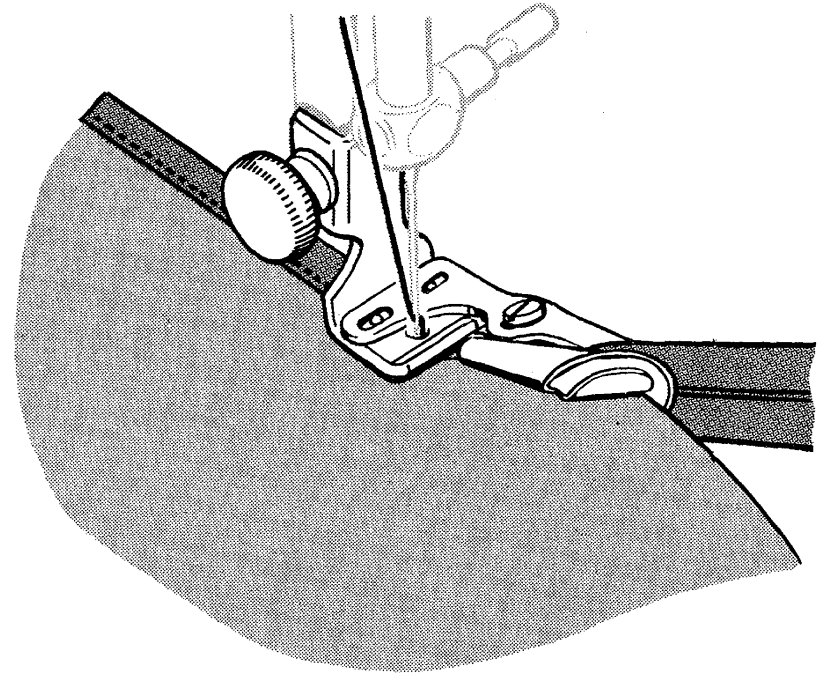
As the binding passes through the scroll the raw edges are turned in.

Adjustment and Operation of the Binder

The edge to be bound is guided into the center of the scroll. Stitching is positioned close to the edge of the binding by adjusting the scroll portion of the attachment.

- Loosen the adjusting screw and move the scroll to the right to bring the stitching closer to the binding edge. For a wider adjustment, move the scroll to the left.

Be sure that the screw is well tightened after making an adjustment.



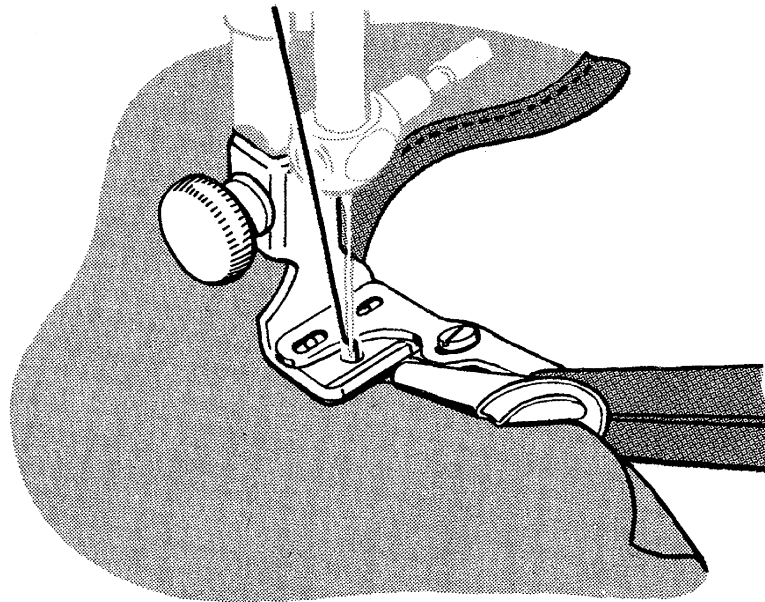
Never pull the binding as it feeds through the scroll. Allow the attachment to do the work. Merely guide the edge to be bound well into the center of the scroll as you stitch.

Binding Curved Edges

Curved edges can be bound as easily as straight edges, but require slightly different fabric handling.

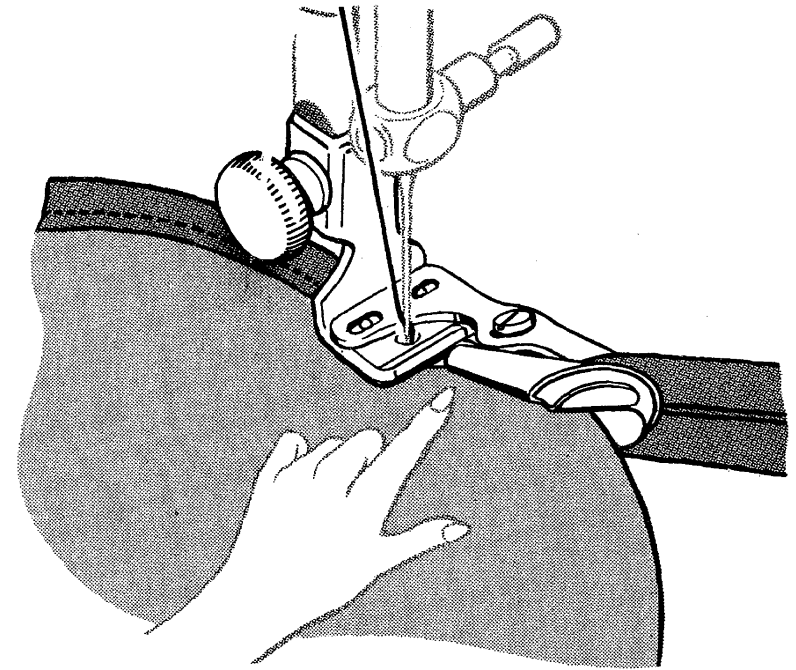
Inside Curves

Inside curves are straightened as they are fed into the binder. If the fabric is soft and has a tendency to stretch, reinforce the edge with a single row of stitching before binding.

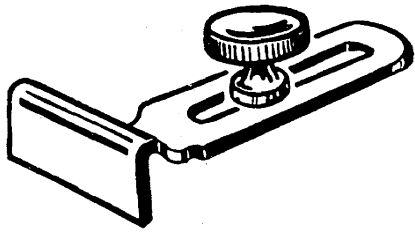


Outside Curves

Outside curves tend to lead away from the center slot of the scroll and should be guided so that a full seam width is taken at the needle point. Do not attempt to pull or straighten the fabric into the full length of the scroll.



THE SEAM GUIDE



The seam guide is adjustable for spacing stitching at any distance between $\frac{1}{8}$ " and $1\frac{3}{8}$ " from a fabric edge. It is used in connection with the presser foot.

Applications

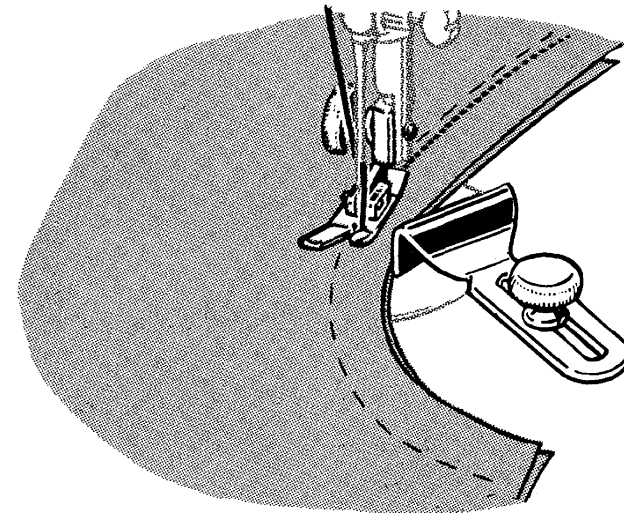
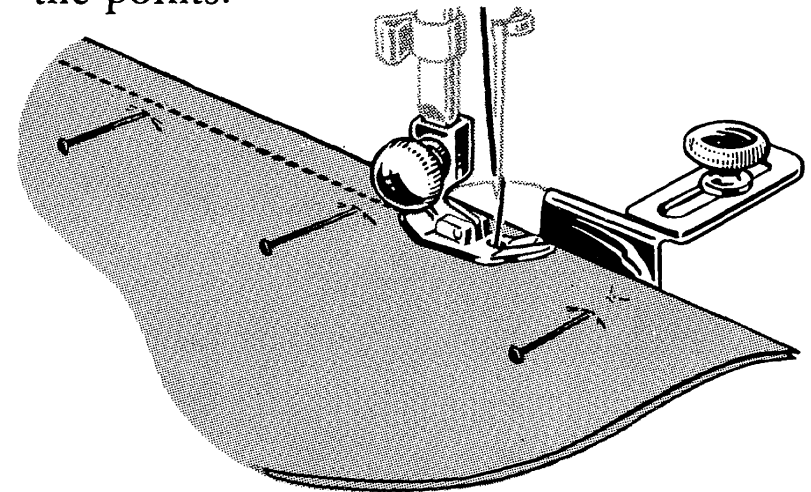
Seams

Stay stitching

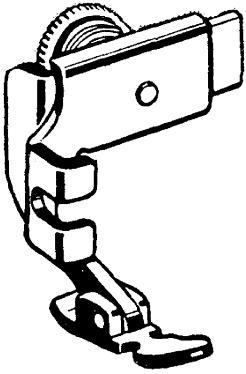
Top stitching—single and multiple rows

- Attach the guide to the machine with the thumb screw in either of the two threaded holes at the right of the needle.
- Adjust for width desired.
- For straight edges, align guide with the presser foot.
- For curved edges, set the guide at an angle so that the end closest to the needle acts as a guide.

- For pinned seams, place the pins with the points toward the seam edge so that they nip into the fabric at the stitching line. The hinged foot will then ride freely over the points.



THE ZIPPER FOOT



The zipper foot is designed for accurate placement of stitches close to a raised edge. The hinged feature of this foot insures even feeding over pins, heavy layers of fabric or cross seams. It is attached to the machine in place of the presser foot, and may be adjusted to either side of the needle.

Applications

Zipper insertions
Corded seams

Tubular cording
Slip cover welting

Preparation

- Attach zipper foot to machine in place of presser foot.
- Loosen zipper foot thumb screw and adjust foot to right or left of needle, as desired.
- Align the notch in the toe with the needle hole in the throat plate.
- Check adjustment by lowering needle into side notch, making sure it clears the foot.
- Lock foot in position by tightening thumb screw.

ZIPPER INSERTION

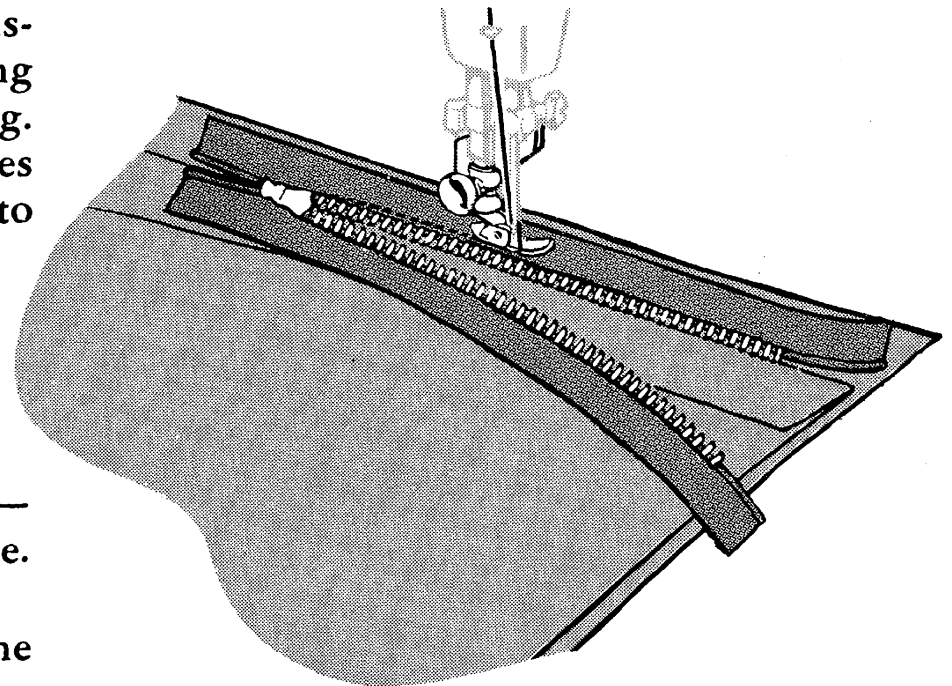
Many different types of zippers are available for everything you sew. There are several satisfactory methods for insertion. Detailed sewing instructions are included in zipper packaging. For any method used, the Zipper Foot enables you to form an even line of stitching close to the zipper.

When the zipper is to the right of the needle—

- Adjust the Zipper Foot to the left of the needle.

When the zipper is to the left of the needle—

- Adjust the Zipper Foot to the right of the needle.

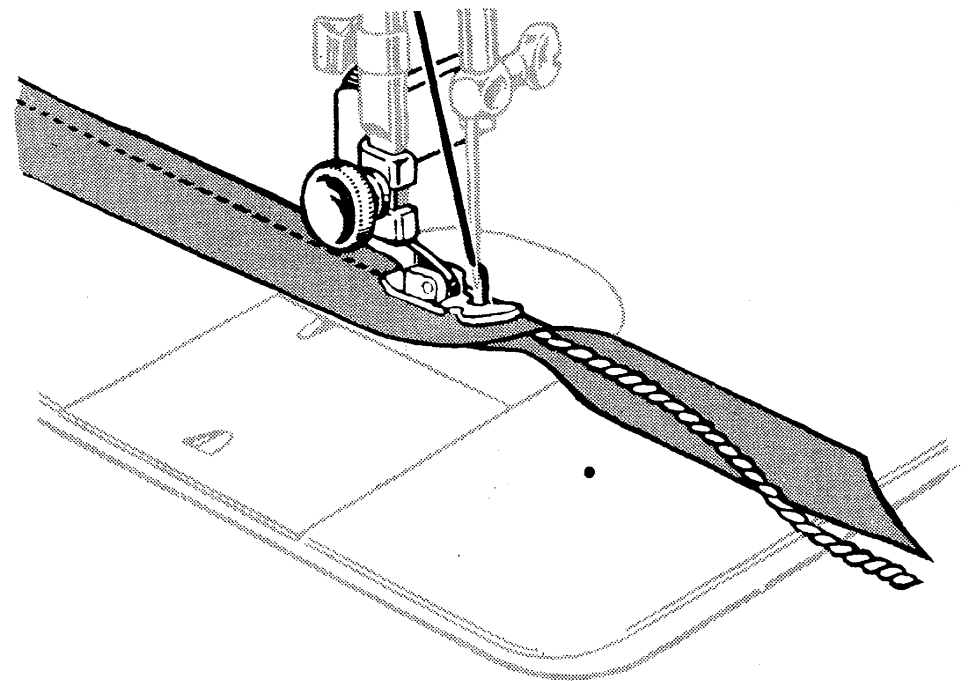
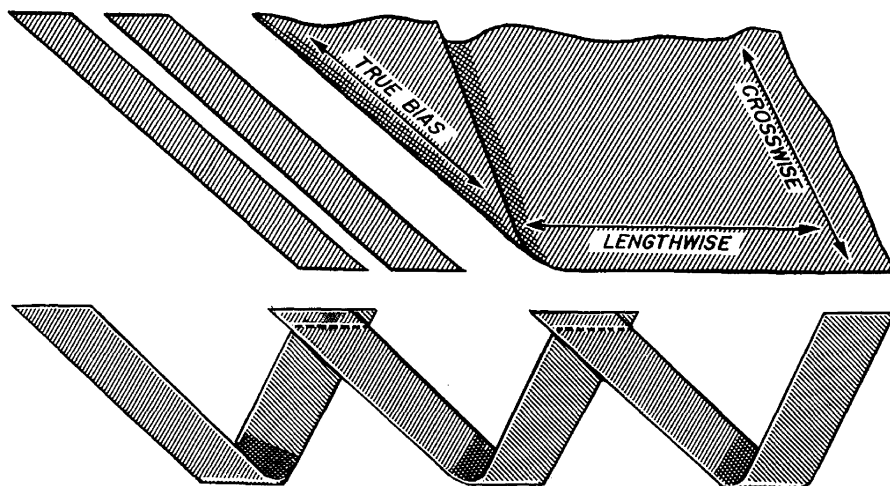


Corded Welting

Cable cord comes in a variety of sizes and when covered with a firmly woven fabric makes a corded welting that is an excellent seam finish.

This welting is prepared in advance and then stitched into the seam. Cut a true bias strip $1\frac{1}{4}$ inches wide, plus three times the width of the cord of either self or contrasting fabric. Sew strips together on the lengthwise grain to obtain desired length.

- Adjust zipper foot to left side of needle.
- Encase cord in bias strip, raw edges even.
- Lower presser bar.
- Stitch close to cord, using a stitch length slightly longer than for plain seaming of same fabric.
- Do not crowd stitching against cord.

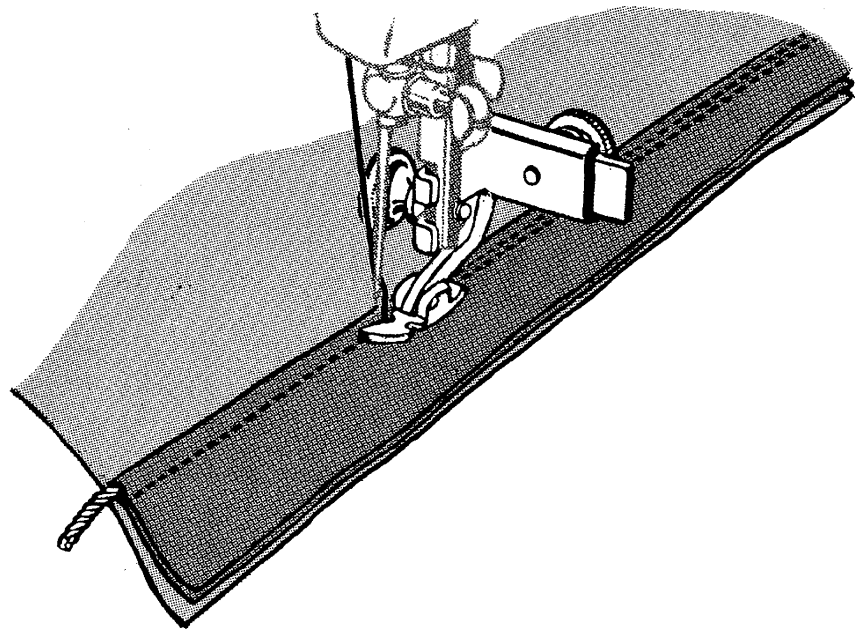


Corded Seams

The corded seam is a typical treatment for slip covers, children's clothes, blouses and lingerie.

When cording a seam the zipper foot is usually adjusted to the right of the needle so that the bulk of the work will fall to the left.

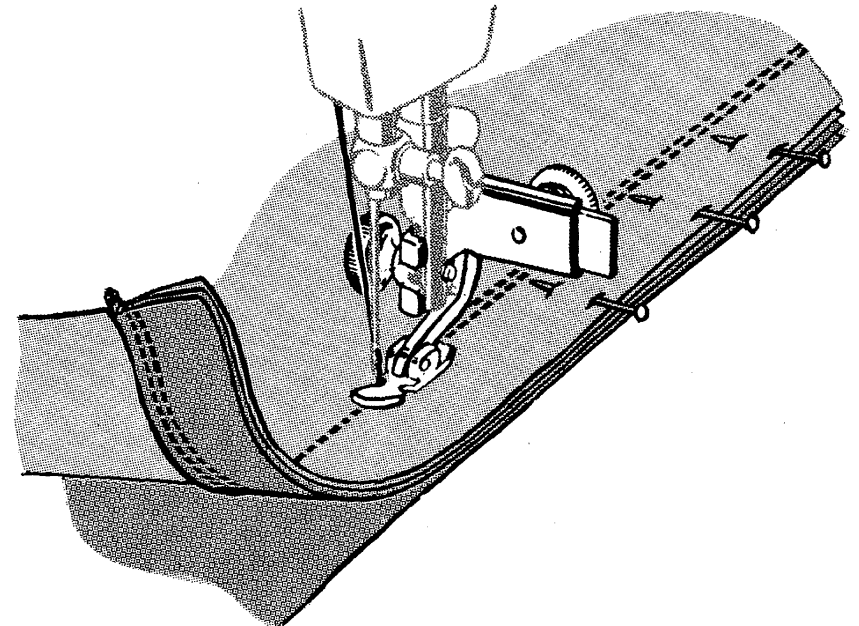
- Attach corded welting to right side of a single seam edge, using same length stitch as used for welting (**page 29**). Guide edge of foot next to cord, but **do not crowd**.



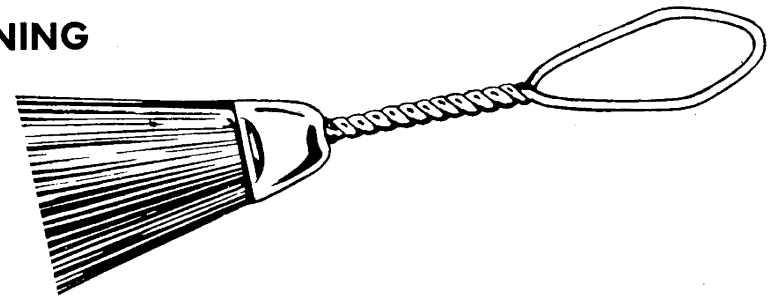
- Place attached corded welting over second seam edge, and pin or baste together.
- Keep the first stitching uppermost as a guide and position the seam under the needle.
- Stitch, this time crowding the foot against the cord.

This method produces evenly joined seam edges and tightly set welting.

Curved seams are cording as easily as straight seams, except that a shorter stitch is used. Since the seam allowance of the welting is bias, it is easy to shape it to the seam.



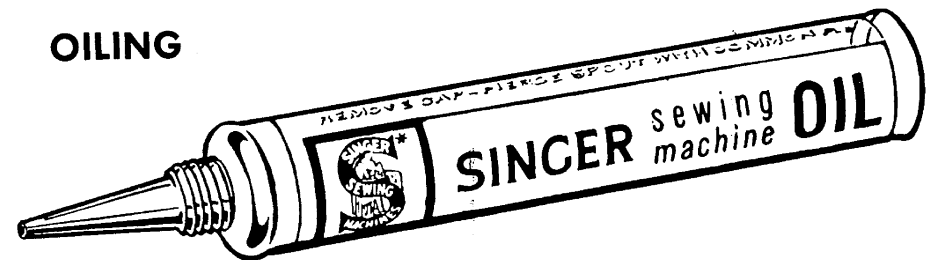
CLEANING



This special lint brush is ideal for cleaning lint and dust from the face plate area and the stitch-forming mechanism of your machine. It may be purchased at your local SINGER SEWING CENTER.

Cleaning information on **pages 32 to 34.**

OILING

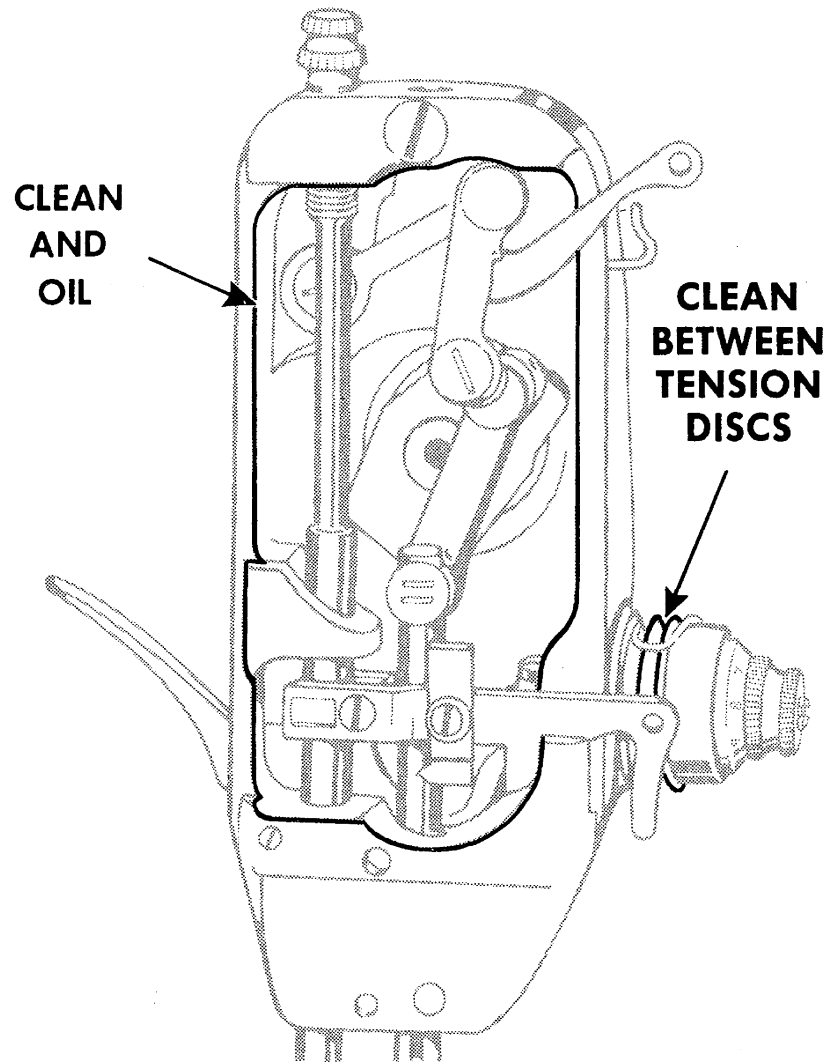


Use SINGER* Oil! It is an extra quality product especially prepared for sewing machines and should always be used in the care of your machine.

Oiling information on **pages 35 to 37.**

The following section is devoted to
the **CARE** and **MAINTENANCE**
of your **SINGER 185**

TO CLEAN THE MACHINE



When in regular use the machine should be cleaned periodically.

Remove face plate and clean the area inside. Remove bobbin case as instructed on page **33** and clean the stitch forming mechanism.

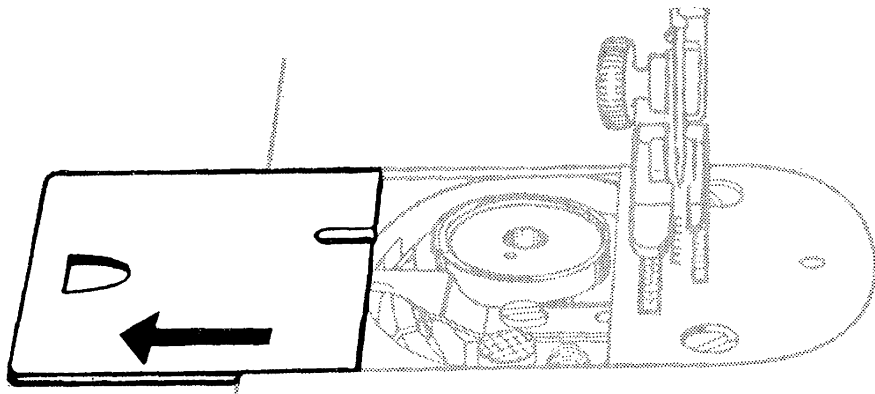
After each cleaning, oil the machine as instructed on **pages 35 to 37**.

If the machine is to be stored for an indefinite period, brush away all traces of lint and fluff, then swab all exposed parts with a lint free brush saturated with SINGER oil to protect against rust damage.

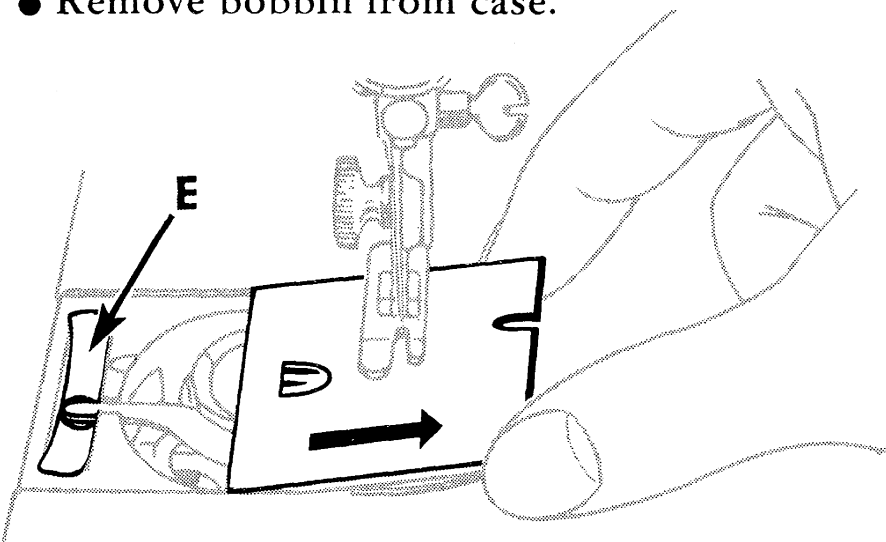
The area in the head of the machine that should be cleaned and covered with a protective coat of oil is shown at the left.

Also clean the stitch-forming mechanism and cover the exposed parts with a coat of oil.

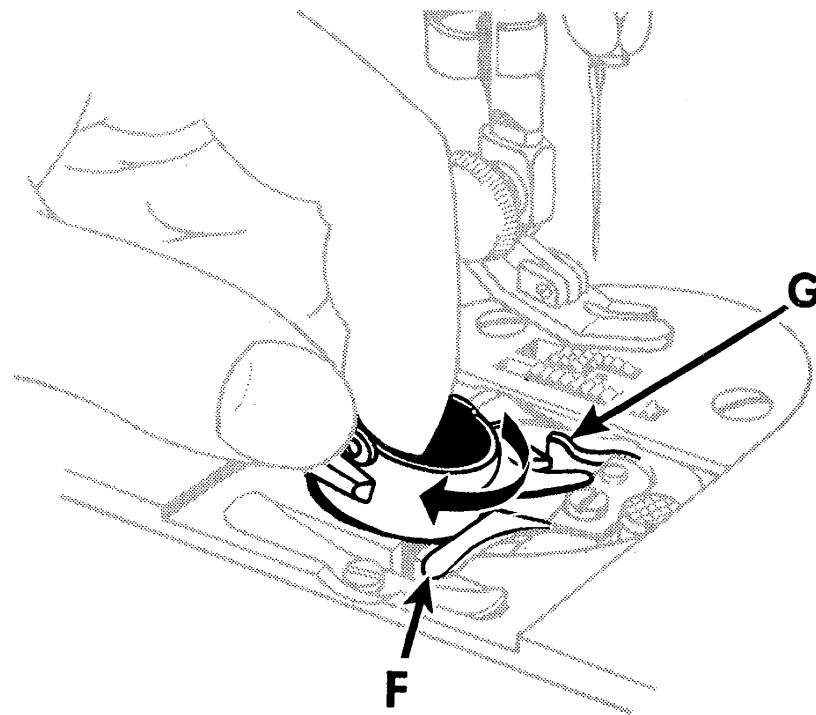
REMOVING AND REPLACING BOBBIN CASE (To clean stitch forming mechanism)



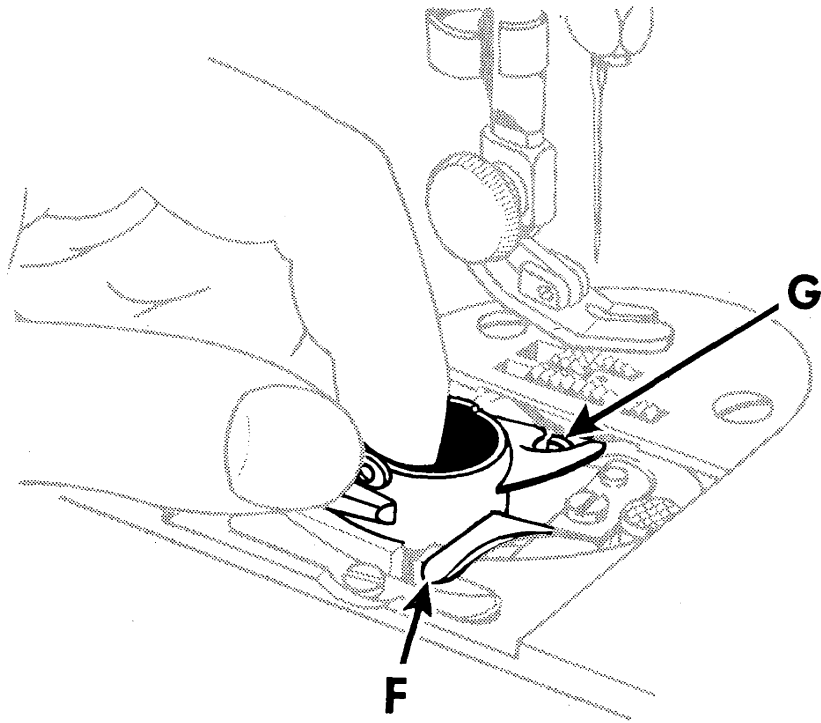
- Raise needle and presser foot.
- Draw slide plate to the left.
- Remove bobbin from case.



- Lift edge of slide plate and draw it to the right until it is disengaged from spring **E**.

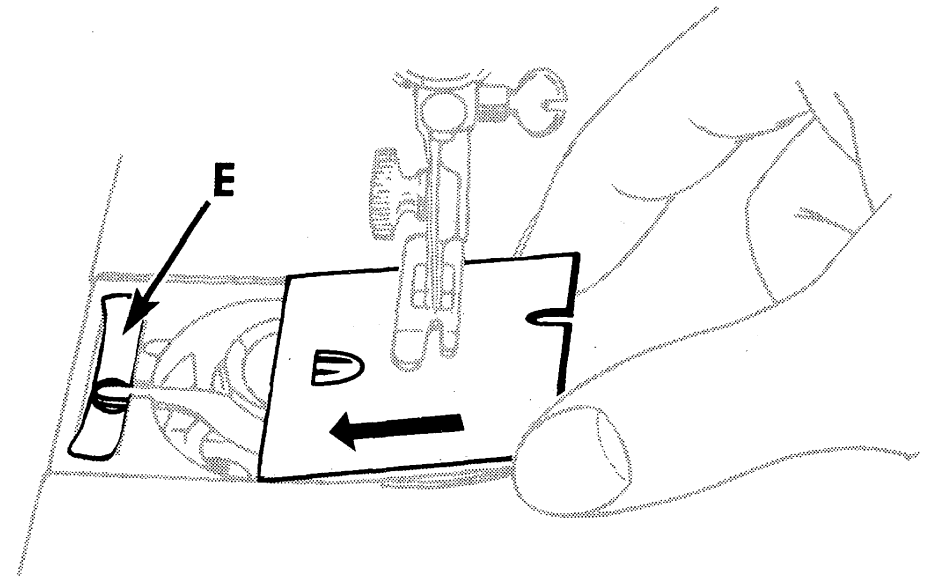


- Lift and move latch **F** to position shown.
- Grasp bobbin case as shown.
- Tilt case to the left to raise the forked end above bracket **G**.
- Turn forked end toward you, then lift out bobbin case.



After cleaning—

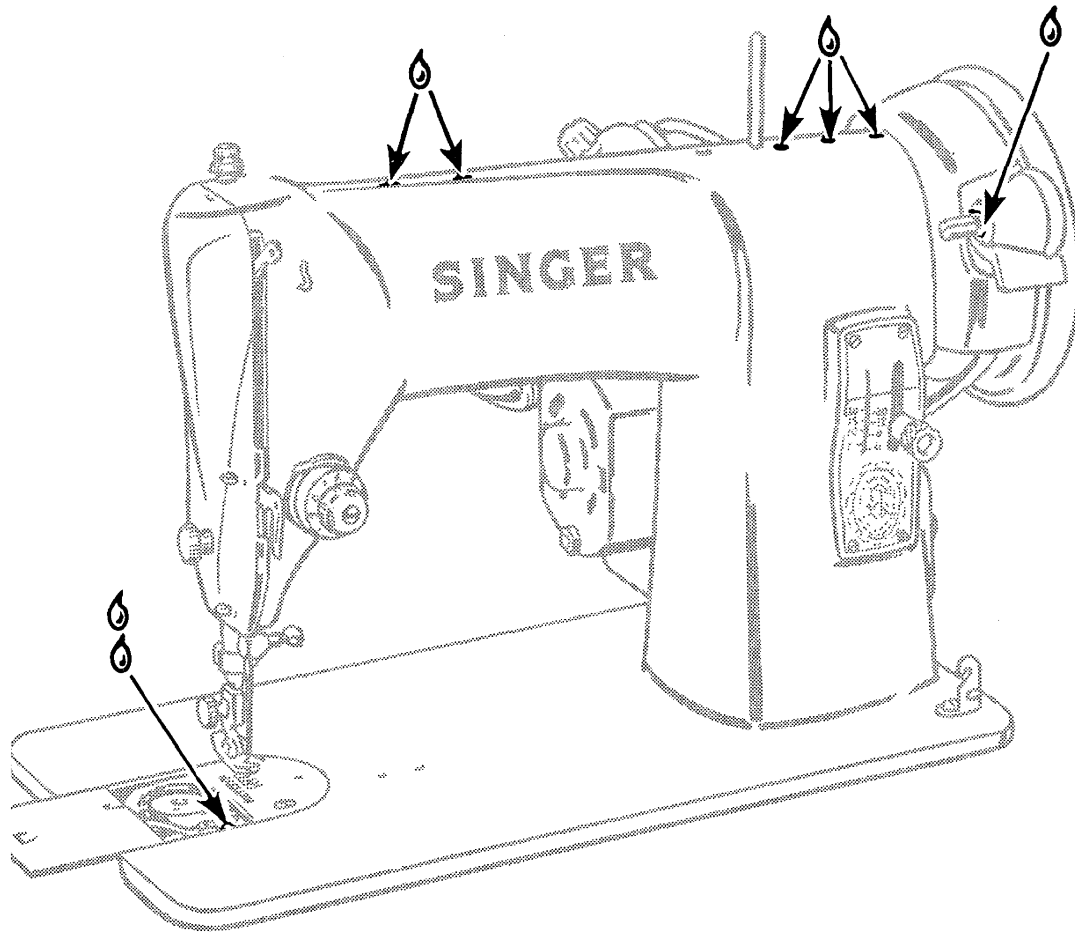
- Replace bobbin case with its fork straddling bracket **G**.
- Twist case to the left, then gently press down and back until edge of sewing hook engages groove under rim of bobbin case.
- Return latch **F** to its original position.



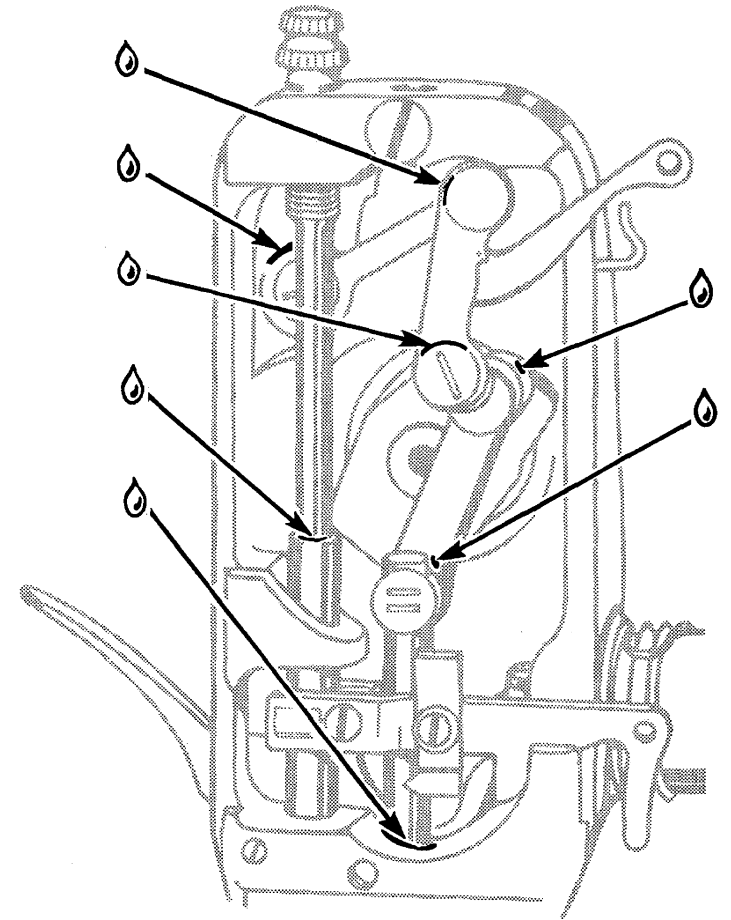
- Replace slide plate from the right.

Be sure that both ends of spring **E** enter the grooves in the underside of the plate.

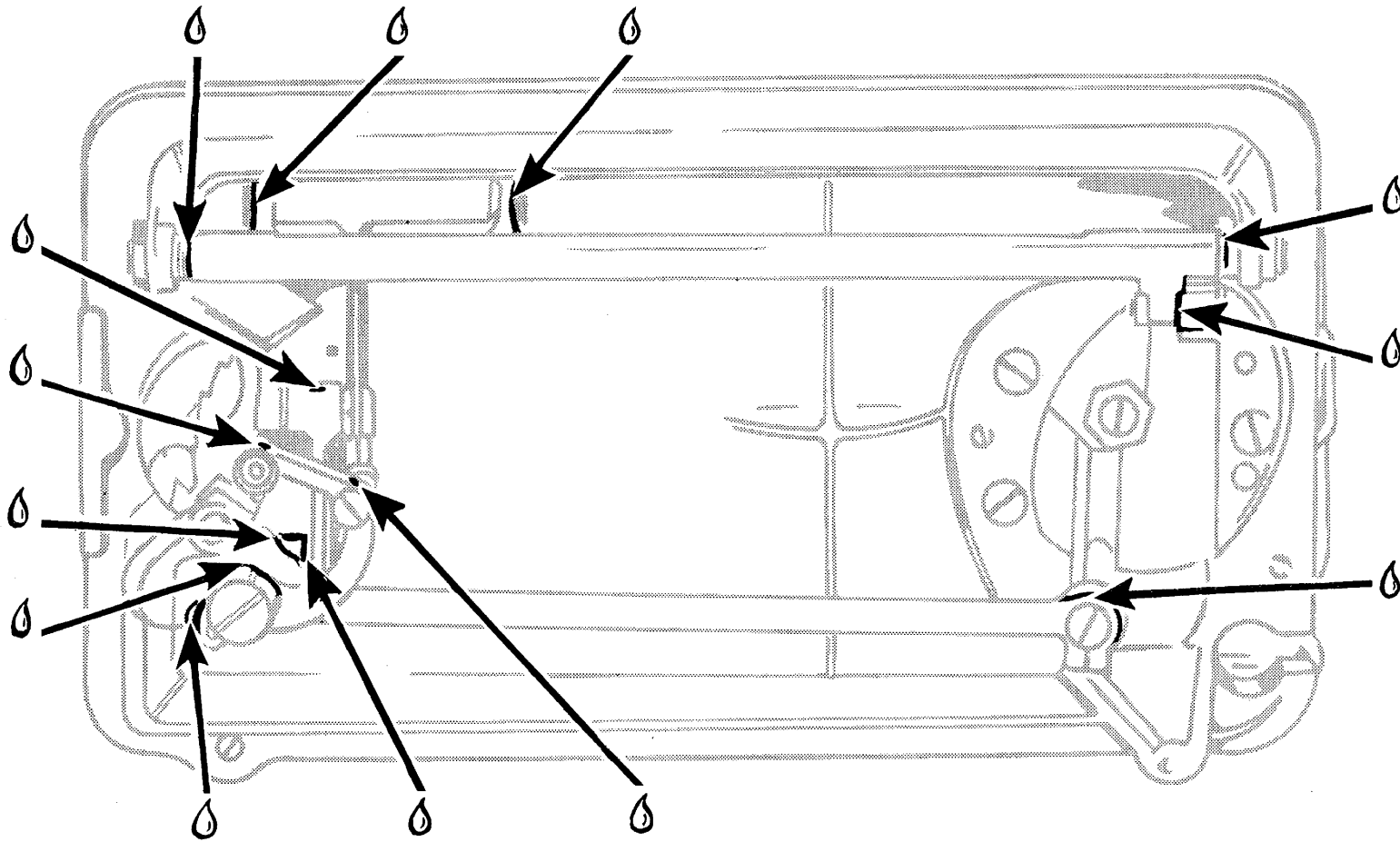
TO OIL THE MACHINE



Apply a drop of oil to each of the places indicated.

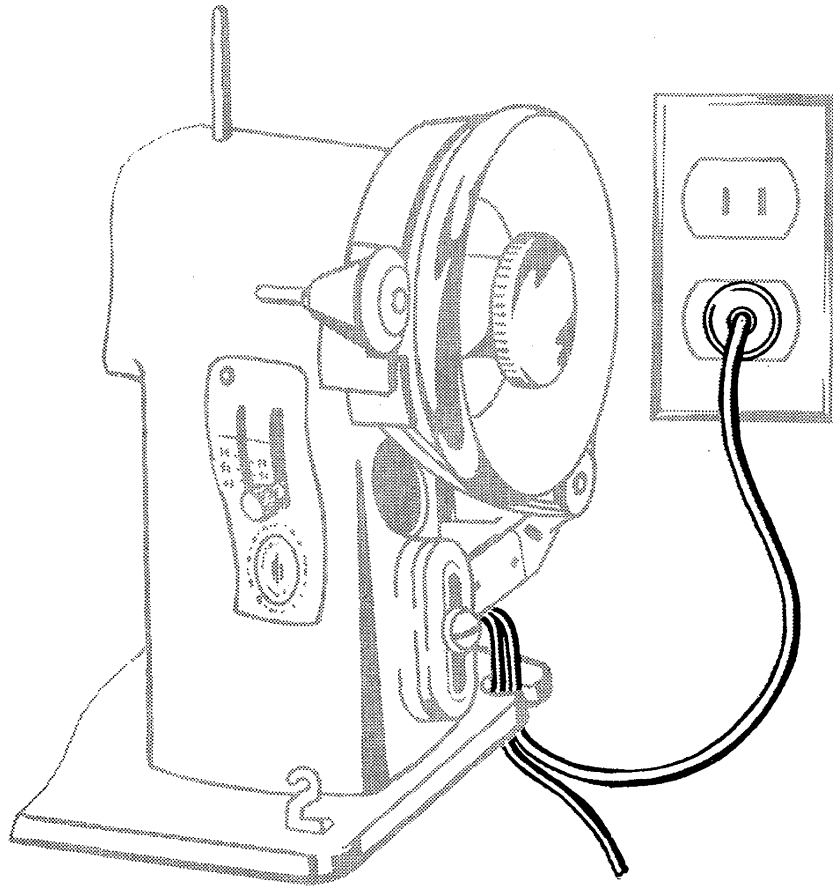


Remove face plate and apply a drop of oil to each of the places indicated.



Tilt machine back and apply a drop of oil to each of the places indicated.

ELECTRICAL INFORMATION



The **SINGER*** Electric Motor in your sewing machine is furnished for operation on an alternating current of 110-120 volts, 25 to 75 cycles, or on 110-120 volts direct current.

Before Inserting Electric Plug be sure that the voltage and the number of cycles stamped on the motor nameplate are within the range marked on your electric meter installed by your power company.

Electrical Connection

Attach the terminal plug at the end of the electric cord to the nearest electrical outlet, and the machine is ready for operation.

Speed Controller

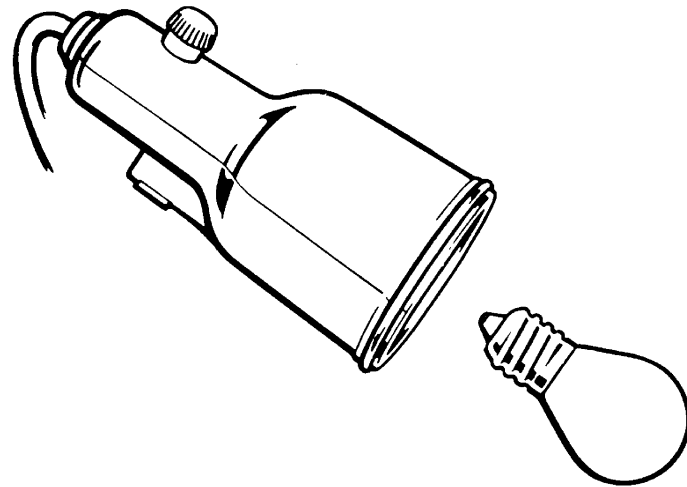
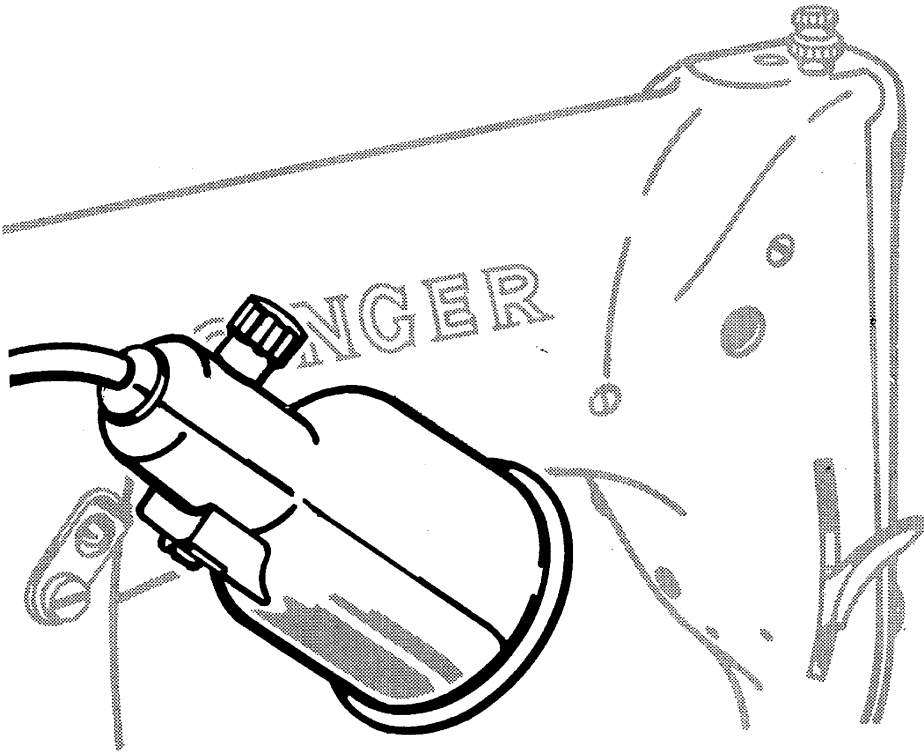
The speed of the machine is regulated by the amount of pressure on the pedal of the foot controller or the knee lever.

SPOTLIGHT

The spotlight is turned “on” or “off” by the knurled switch at the top.

To remove bulb

- Unscrew bulb.



To insert bulb

- Screw bulb into socket.

INDEX

	PAGE		PAGE
Attachments		Chart For Fabric, Thread, Needle and	
Binder	23-25	Stitch Length	4
Foot Hemmer	20-22	Cleaning	32
Seam Guide	26	Controller	37
Zipper Foot	27-30	Cording	
Belt Tension	18	Seams	30
Binder	23-25	Welting	29
Adjustment	24	Electrical Information	37
Binding Curved Edges	25	Controller	37
Inserting Binding	23	Motor	37
Operation	24	Spotlight	38
Binding		Fabric, Thread, Needle and	
Curved Edges	25	Stitch Length Chart	4
Insertion	23	Fabrics	
Bobbin		Guiding and Supporting	15
Case Threading	9	Foot Hemmer	20-22
Preparing to Sew	12	Hemmed Seams	21
Removing	6	Hemming with Lace	22
Replacing	9	Guiding and Supporting Fabrics	15
Thread Tension	17	Lace	
Winding	6	Hemming	22
Bobbin Case		Hemming	20
Removing	33-34	Hemmed Seams	21
Replacing	34	Hemming with Lace	22
Threading	9	Length of Stitch	
Bobbin Thread Tension	17	Regulating	10

	PAGE		PAGE
Light Bulb Replacement	38	Hemmed	21
Lubricating	35	Straight	26
Machine Parts	3	Supporting and Guiding	15
Motor		Welted	29
Belt Tension	18	Sewing a Seam	13-14
Electrical Information	37	SINGER Service	2
Needle		Stitch Length	
Insertion	5	Regulating	10
Thread Tension	16	Reversing	10
Threading	8	Stitch Length, Fabric, Thread and Needle Chart	4
Needle, Thread, Fabric and Stitch Length Chart	4	Tension Adjustments	
Needle Thread Tension	16	Bobbin Thread	17
Needle Threading	8	Motor Belt	18
Oiling	35	Needle Thread	16
Prepare to Sew	12	Thread, Needle, Fabric and Stitch Length Chart	4
Pressure Adjustments	11	Threading	
Principal Parts of Machine	3	Bobbin Case	9
Regulating Pressure on Material	11	Needle	8
Regulating Stitch Length	10	Welting	29
Reverse Stitching	10	Winding the Bobbin	6-7
Seam Guide	26	Zipper Foot	27-30
Seams		Corded Seams	30
Corded	30	Corded Welted	29
Curved	26	Zipper Insertion	28

To all whom it may concern:

The improper placing or renewal of the Trademark "SINGER" or any other of the Trademarks of The Singer Company (all of which are duly Registered Trademarks) on any machine that has been repaired, rebuilt, reconditioned, or altered in any way whatsoever outside a SINGER factory or an authorized SINGER agency is forbidden.

For your protection

SINGER Sewing Machines are sold and serviced wherever you see the famous SINGER and Red "S" Trademarks. When your machine needs servicing call your SINGER SEWING CENTER to be sure of warranted SINGER parts and service. See address in the classified telephone directory.

T H E S I N G E R C O M P A N Y