

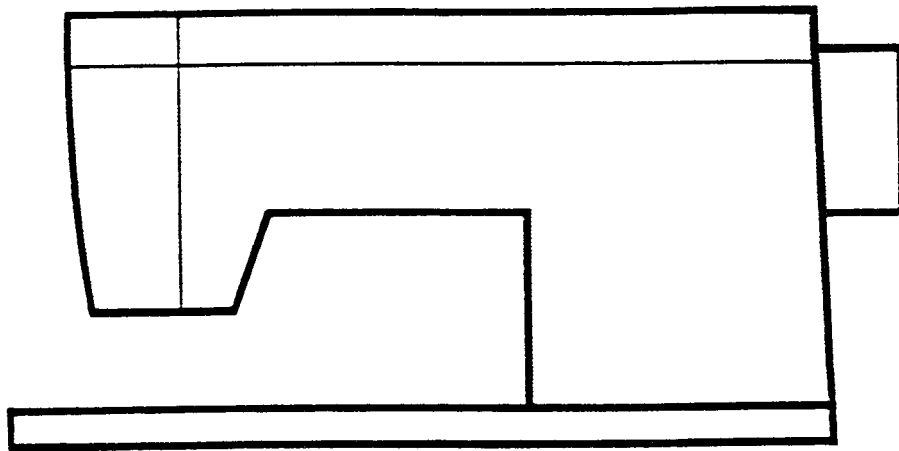
**SINGER**  
290C

MASTER COPY

# LIST OF PARTS

Model 290

HOUSEHOLD SEWING MACHINE



by **SINGER**\*



TABLE OF TERRITORIES

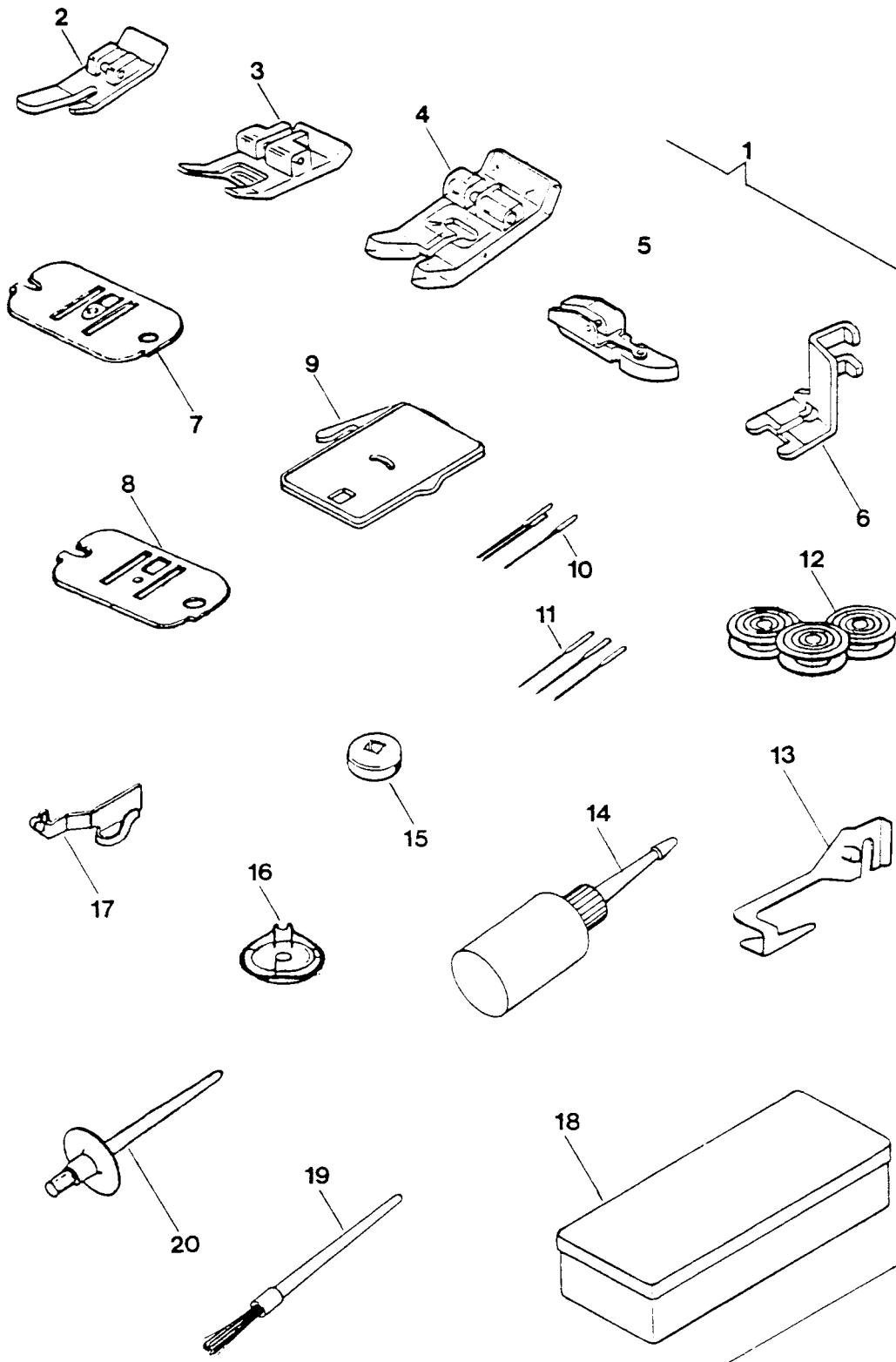
- A - (105/115 V. - 220/240 V.)		- B - (220 V.)	- H - (120 V. + 220 V.)	- J - (127/220 V.)
Aden	Malagasy Rep.	South Africa	Argentina	Belgium Bi-Volt.
Algeria	Malawi		Bahamas	W. Germany Bi-Volt.
Angola	Malaysia		Barbados	- K - (240 V.)
Bahrain	Mali	- C - (220 or 240 V.)	Bermuda	<u>Australia</u>
Bangladesh	Mauritania	New Zealand	Bolivia	- L - (220 V.)
Benin (Dahomey)	Mauritius		Brazil	
Burma	Morocco	- D - (240 V.)	British Honduras	<u>Norway</u>
Burundi	Mozambique		Canal Zone	- M - (105 V.)
Cambodia	Niger Repub.		Chile	
Cameroons	Nigeria		Colombia	<u>Japan</u>
Cent. Africa Empire	North Yemen	Great Britain	Costa Rica	- N - (127/220 V.)
Chad	Pakistan	(England, Scotland, Wales).	Ecuador	
Congo (Brazzaville)	Rhodesia	Malta	El Salvador	France Bi-Volt.
Egyptian Arab Republic	Saudi Arabia		French West Indies	Non mandatory countries Bi-Volt.
Ethiopia	Senegal	- E - (220 V.)	Guatemala	- O -
Fiji Islands	Sierra Leone		Honduras Republic	Canada (I)
Gabon	Singapore	Netherlands	Jamaica	
Gambia	South Korea		Mexico	- P - (220 V.)
Ghana	South Yemen		Neth. Antilles	
Guam	Sri Lanka	- F - (220 V.)	Nicaragua	Albania
Guinea	Sudan		Panama	France
Guyana	Syria	Austria	Paraguay	Gibraltar
High Volta	Taiwan	Belgium	Peru	Iceland
Hong Kong	Tangiers	Denmark	Philippines	Israel
India	Tanzania	Finland	Puerto Rico	Jugoslavia
Indonesia	Thailand	Greece	Surinam	Luxembourg
Iran	Togo	Italy	Trinidad & Tobago	Monaco
Iraq	Tunisia	Switzerland	Venezuela	Portugal
Ivory Coast	Uganda	W. Germany (+ 120 V.)	Virgin Islands	Spain
Jordan	Upper Volta		West Indies	Turkey
Kenya	Vietnam	- G - (120 V.)	(Antigua, Dominica, Grenada, Montserrat, St. Christopher, Nevis, Anguilla, St. Lucia, St. Vincent, St. Kitts).	- Q - (240 V.)
Kuwait	Zaire (Kinshasa)	(I)		<u>Cyprus</u>
Laos	Zambia	United States		- R - (220 V.)
La Reunion				<u>Sweden</u>
Lebanon				- S - (220 V.)
Liberia				
Libya				Eire

Copyright © 1982 THE SINGER COMPANY  
 All Rights Reserved Throughout the World  
 \*A Trademark of THE SINGER COMPANY

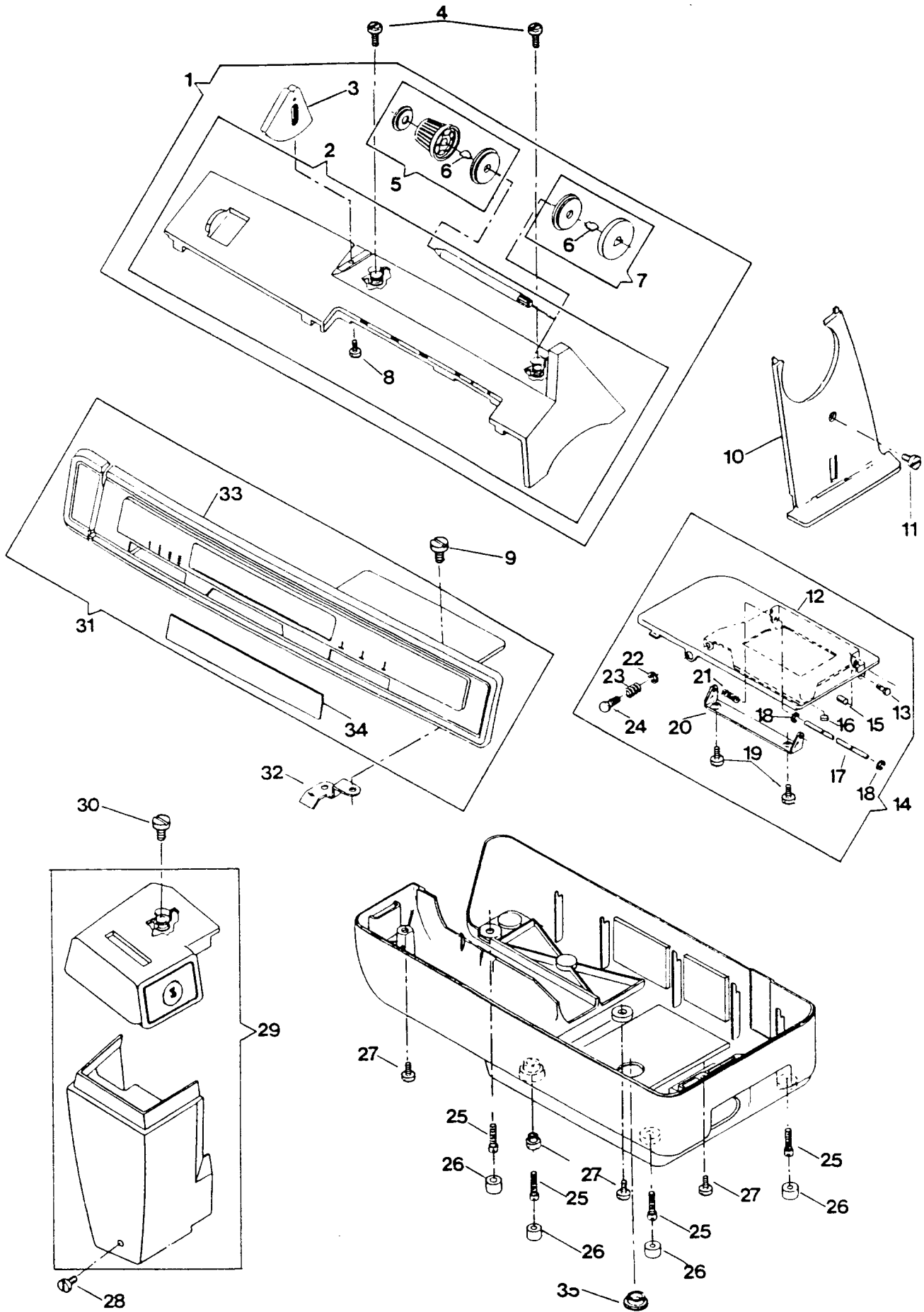
INDEX

<i>PAGE</i>	<i>DESCRIPTIONS</i>
1 , 2	<i>ATTACHMENT SET</i>
3 , 4	<i>COVERS AND ADD ONS</i>
5 , 6	<i>ROTATING HOOK</i>
7 , 8	<i>TENSION ASSEMBLY</i>
9 , 10	<i>ARMSHAFT DRIVE AND HANDWHEEL</i>
11 , 12	<i>NEEDLE BAR AND THREAD TAKE-UP</i>
13 , 14	<i>PRESSER BAR AND PRESSURE REGULATOR</i>
15 - 18	<i>ALPHA FEED</i>
19 , 20	<i>BIGHT AMPLITUDE AND NEEDLE POSITION</i>
21 - 24	<i>BUTTONHOLER AND FEED REGULATOR CAM</i>
25 , 26	<i>PATTERN SELECTOR AND DISC STACK</i>
27 - 30	<i>CAM CONTROLLED FEED</i>
31 , 32	<i>ELECTRICAL EQUIPMENT</i>

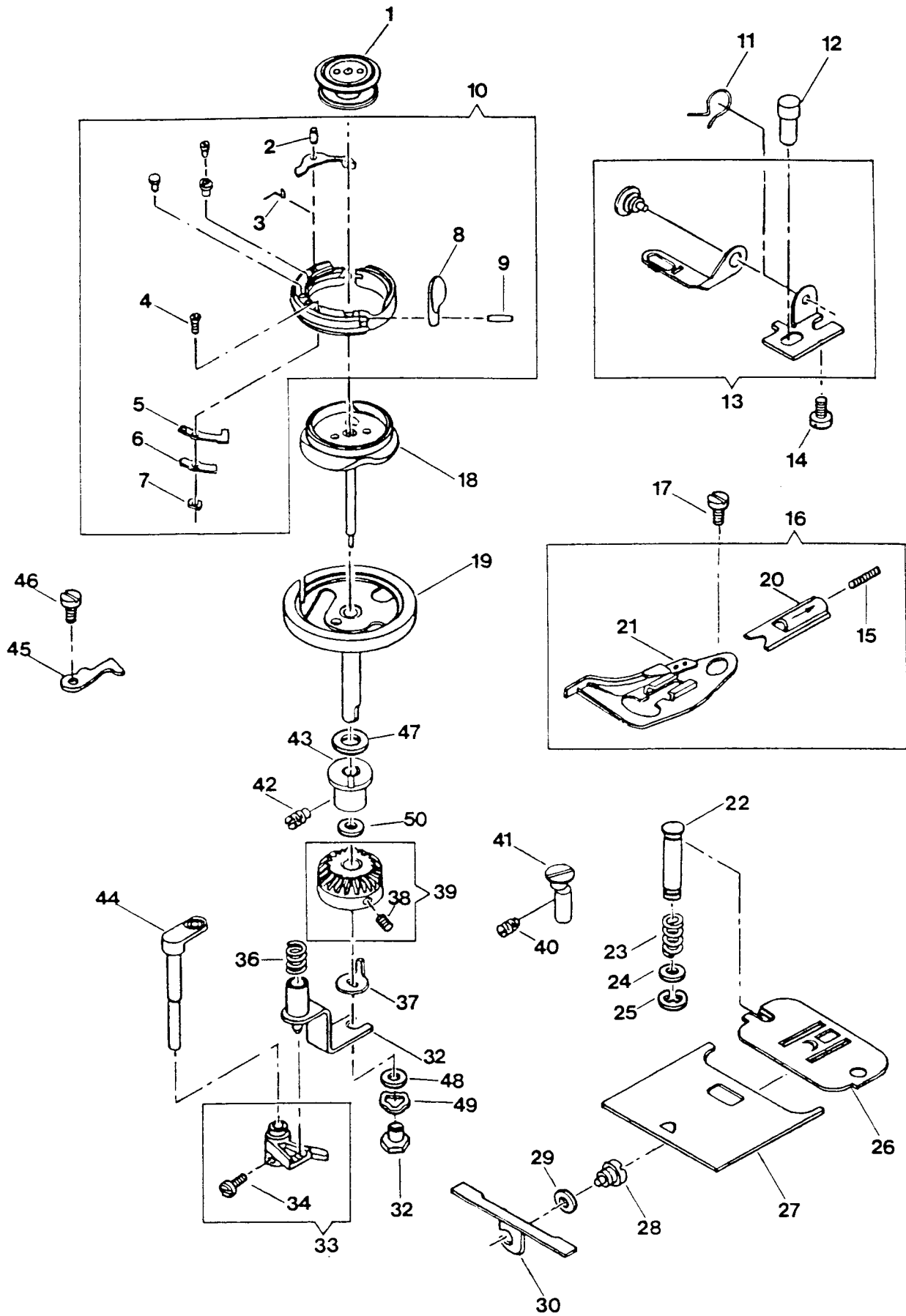
ATTACHMENT SET



COVERS AND ADD ONS



# ROTATING HOOK



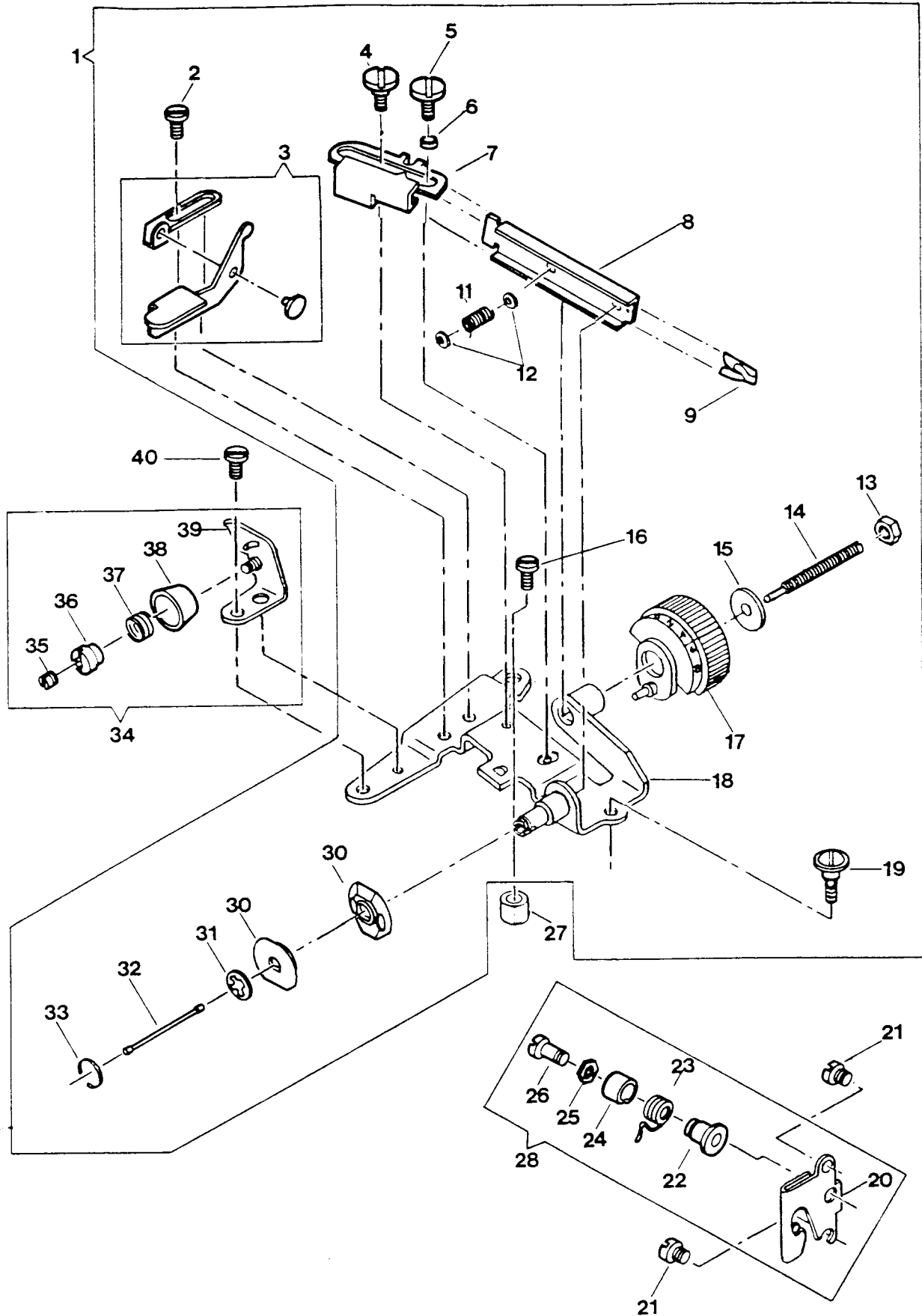
ROTATING HOOK

REF. NO.	PART NO.	DESCRIPTION	2 9 0 C 3	9 0 1 C 3	2 0 0 C 3
1	506417	Rotating Hook Bobbin	X	X	X
2	163003	Rotating Hook Bobbin Thread Control Lever Pin	X	X	X
3	163974	Rotating Hook Bobbin Thread Control Lever Spring	X	X	X
4	141722-830	Rotating Hook Bobbin Latch Tension Spring Screw	X	X	X
5	511288	Rotating Hook Bobbin Latch Tension Spring	X	X	X
6	511287	Rotating Hook Bobbin Latch Tension Compensating Spring	X	X	X
7	514603	Rotating Hook Bobbin Latch Tension Spring Screw Nut	X	X	X
8	163121-002	Rotating Hook Bobbin Latch	X	X	X
9	163140	Rotating Hook Bobbin Latch Pin	X	X	X
10	153143	Rotating Hook Bobbin Case	X	X	X
11	445078	Thread Pull-off Spring	X	X	X
12	445719	Throat Plate Position Pin & Thread Pull-off Bracket Stud	X	X	X
13	445771	Thread Pull-off	X	X	X
14	141920-452	Thread Pull-off Mounting Bracket Screw	X	X	X
15	408450	Rotating Hook Bobbin Case Cushion Spring Bracket Lock Slide	X	X	X
		Spring			
16	408453	Rotating Hook Bobbin Case Cushion Spring Bracket Complete	X	X	X
17	544117	Rotating Hook Bobbin Case Cushion Spring Bracket Hinge Screw	X	X	X
18	445782	Rotating Hook Bobbin Driver	X	X	X
19	445867	Rotating Hook Body	X	X	X
20	408451	Rotating Hook Bobbin Case Cushion Spring Bracket Lock Slide	X	X	X
21	408448	Rotating Hook Bobbin Case Cushion Spring Bracket	X	X	X
22	409285	Throat Plate Clamp	X	X	X
23	444889	Throat Plate Clamp Spring	X	X	X
24	408098	Throat Plate Clamp Spring Washer	X	X	X
25	445721	Throat Plate Clamp Spring Retaining Ring	X	X	X
26	409286	Throat Plate for Zig-Zag Sewing	X	X	X
27	445847	Bed Slide with Molded Plastic Window	X	X	X
28	544080	Bed Slide Spring Screw	X	X	X
29	408098	Bed Slide Spring Screw Washer	X	X	X
30	408035	Bed Slide Spring	X	X	X
31	514747	Rotating Hook Bobbin Driver Locator Nut	X	X	X
32	445084	Rotating Hook Bobbin Winder Lifting Bracket	X	X	X
33	163788-001	Rotating Hook Bobbin Winder Actuating Lever Shaft Cam	X	X	X
34	141913-451	Rotating Hook Bobbin Winder Actuating Lever Shaft Cam	X	X	X
		Set Screw			
36	511175	Rotating Hook Bobbin Winder Actuating Lever Shaft Cam	X	X	X
		Follower Spring			
37	163247	Rotating Hook Bobbin Driver Locator	X	X	X
38	544207-002	Rotating Hook Spirol Gear Set Screw	X	X	X
39	408907	Rotating Hook Spirol Gear	X	X	X
40	544118	Rotating Hook Bobbin Case Cushion Spring Bracket Stud (ecc.)	X	X	X
		Set Screw			
41	408449	Rotating Hook Bobbin Case Cushion Spring Bracket Stud (ecc.)	X	X	X
42	549366	Rotating Hook Flanged Bushing (eccentric) Set Screw	X	X	X
43	445897	Rotating Hook Flanged Bushing (eccentric)	X	X	X
44	445827-451	Rotating Hook Bobbin Winder Actuating Lever Shaft with Lever	X	X	X
45	153022	Rotating Hook Bobbin Case Position Finger	X	X	X
46	354440-451	Rotating Hook Bobbin Case Position Finger Screw	X	X	X
47	506164	Damping Washer	X	X	X
48	422522	Rotating Hook Bobbin Driver Locator Nut Washer	X	X	X
49	422523	Rotating Hook Bobbin Driver Locator Nut Spring Washer	X	X	X
50	422400	Rotating hook Bevel Gear Thrust Washer	X	X	X

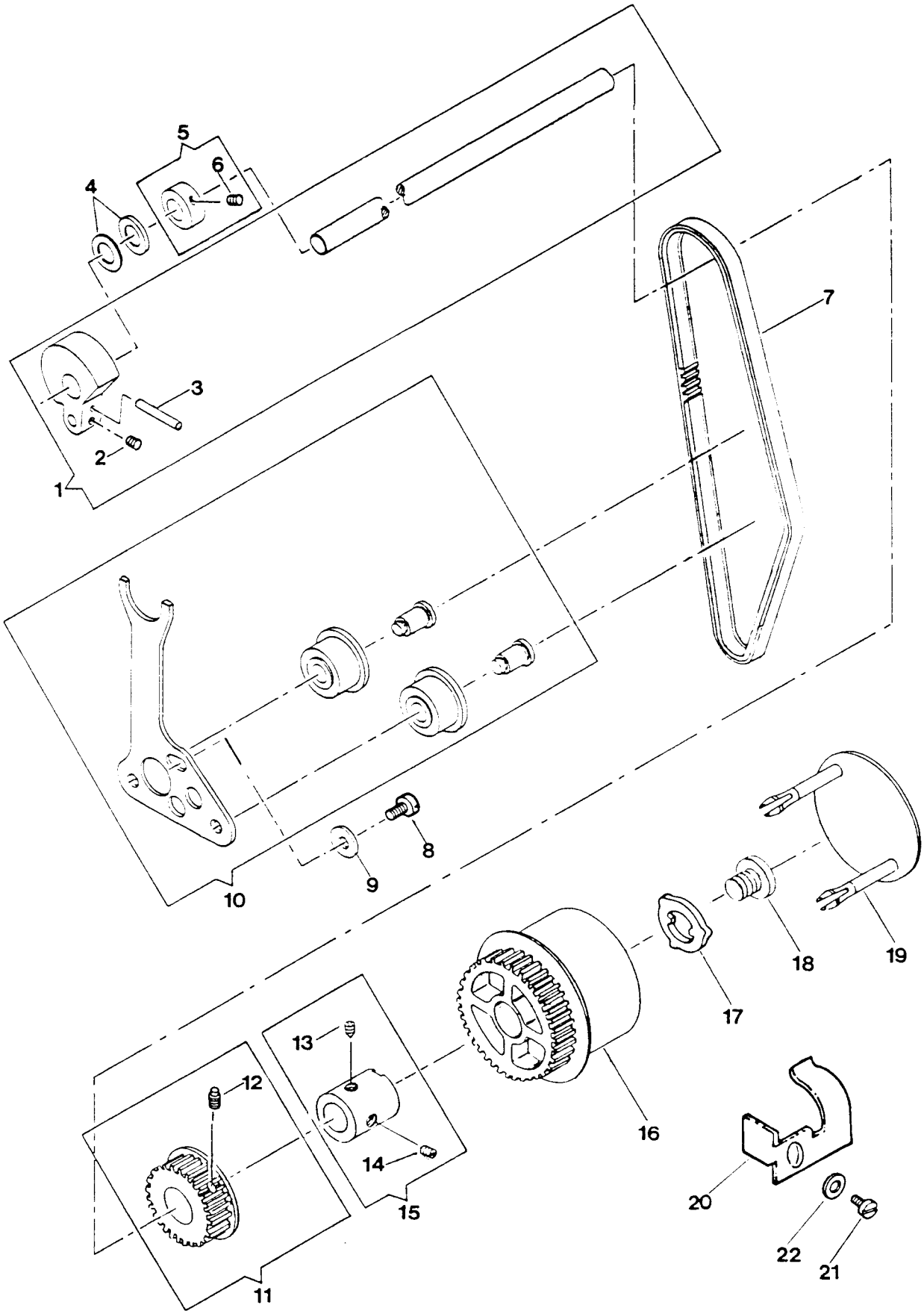




# TENSION ASSEMBLY



# ARMSHAFT DRIVE AND HANDWHEEL

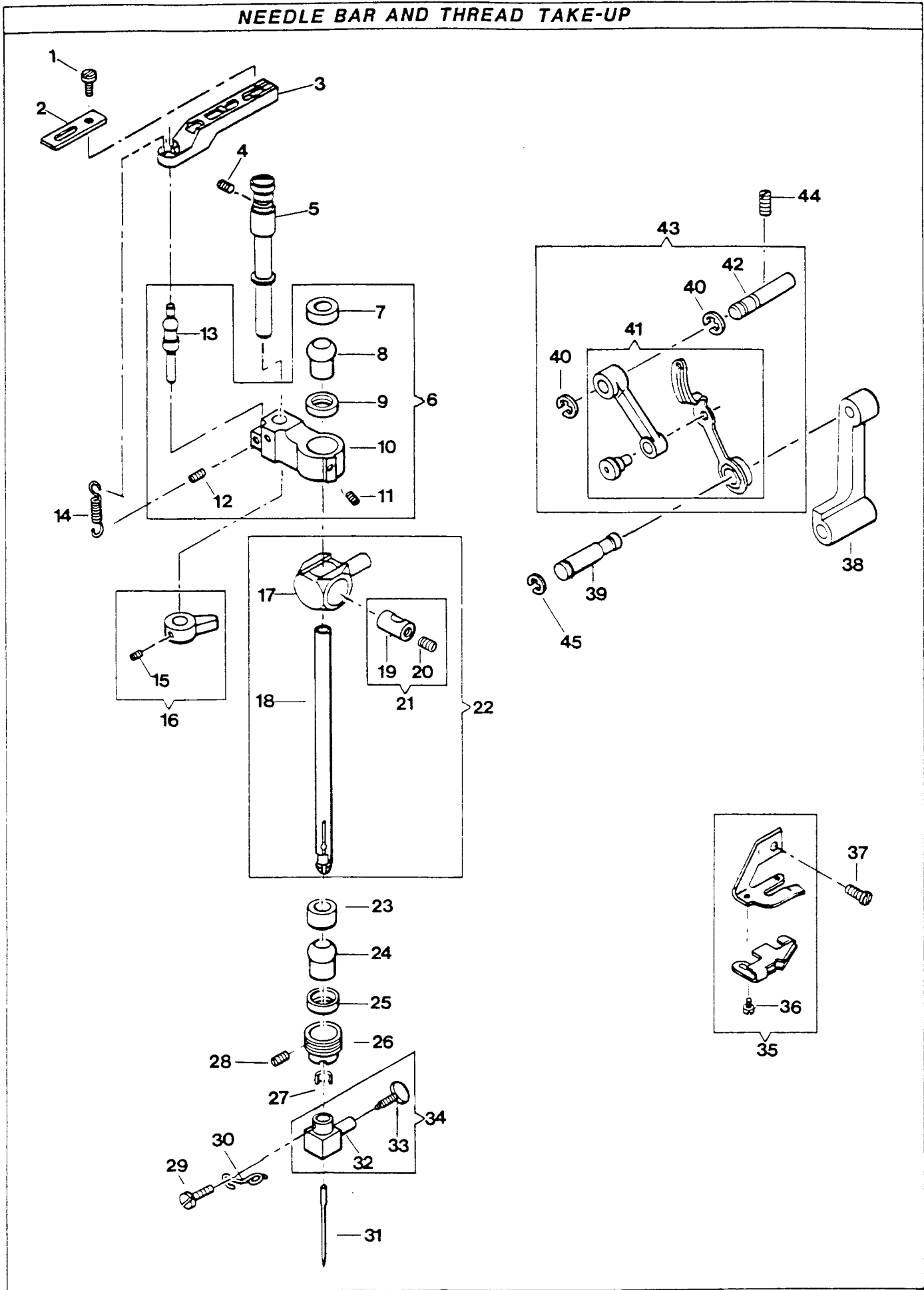




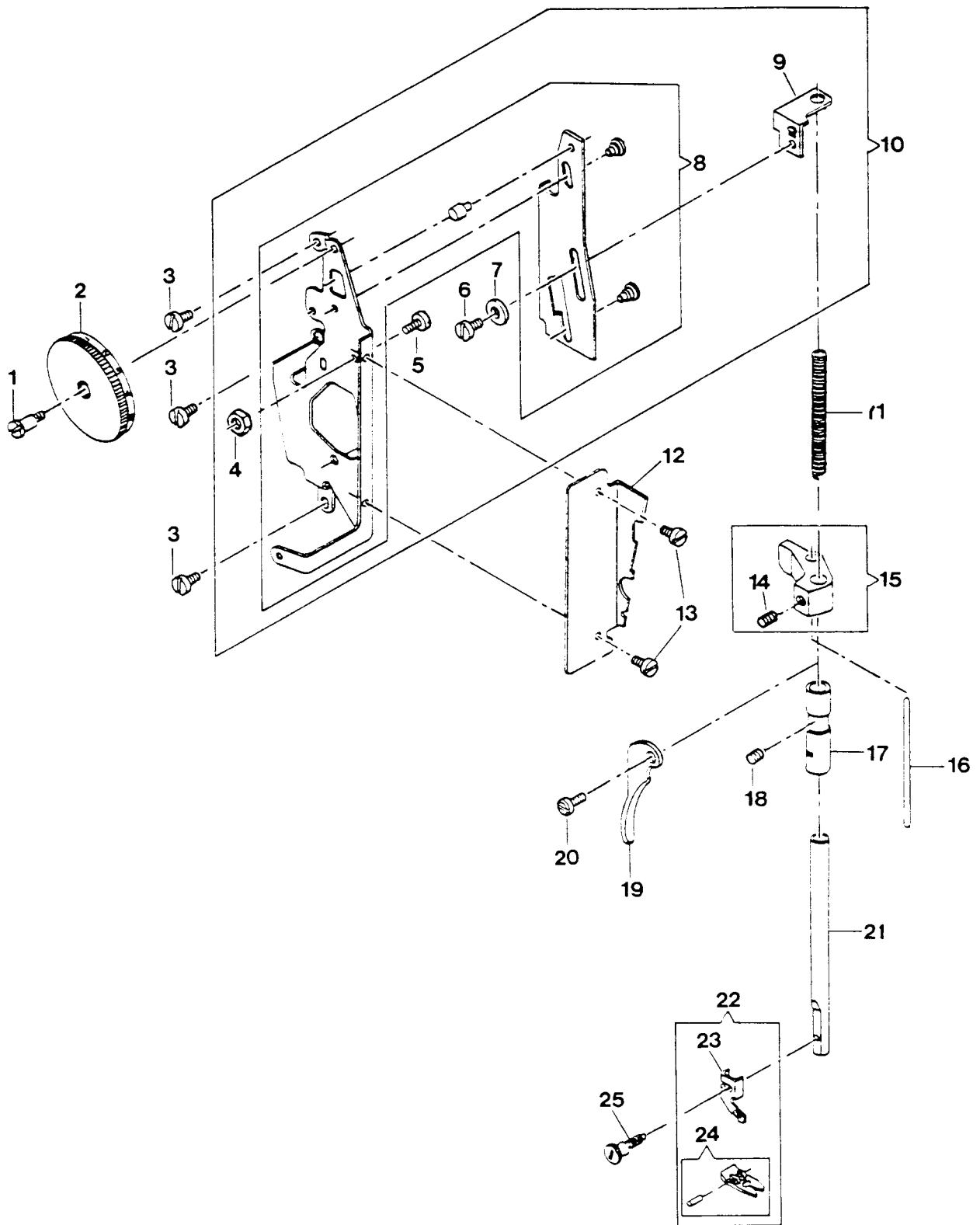
NEEDLE BAR-THREAD TAKE-UP

REF. NO.	PART NO.	DESCRIPTION			
				2	2
				9	9
				2	0
				9	C
				0	1
				C	3
1	141808-452	Needle Bar Driving Arm Ball Joint Screw	X	X	X
2	445792	Needle Bar Driving Arm Ball Joint Plate	X	X	X
3	445791	Needle Bar Driving Arm Ball Joint (plastic)	X	X	X
4	354813-451	Needle Bar Vibrating Bracket Hinge Pin (eccentric) Set Screw	X	X	X
5	445690	Needle Bar Vibrating Bracket Hinge Pin (eccentric)	X	X	X
6	445705	Needle Bar Vibrating Bracket Complete	X	X	X
7	37928	Needle Bar Ball Bushing (upper) Adjusting Collar	X	X	X
8	37927	Needle Bar Ball Bushing (upper)	X	X	X
9	507379	Needle Bar Ball Bushing (upper) Socket	X	X	X
10	37944-001	Needle Bar Vibrating Bracket (37944 Machined)	X	X	X
11	141803-830	Needle Bar Ball Bushing (upper) Adjusting Collar Set Screw	X	X	X
12	354769-451	Needle Bar Vibrating Bracket Ball Joint Screw	X	X	X
13	445691	Needle Bar Vibrating Bracket Ball Joint	X	X	X
14	445692	Needle Bar Vibrating Bracket Ball Joint Spring	X	X	X
15	354592-451	Needle Bar Vibrating Bracket Hinge Pin (eccentric) Collar Screw	X	X	X
16	445406	Needle Bar Vibrating Bracket Hinge Pin (eccentric) Collar Complete	X	X	X
17	37930	Needle Bar Connecting Stud (Alternate to 445865)	X	X	X
17	445865	Needle Bar Connecting Stud	X	X	X
18	445793	Needle Bar	X	X	X
19	37931	Needle Bar Connecting Stud Hinge Pin	X	X	X
20	141916-833	Needle Bar Clamping Screw	X	X	X
20	354387-451	Needle Bar Clamping Screw (alternate to No. 141916-833)	X	X	X
21	37932	Needle Bar Connecting Stud Hinge Pin Complete	X	X	X
22	445794	Needle Bar Complete	X	X	X
23	44450	Needle Bar Ball Bushing (lower) Socket (upper)	X	X	X
24	37927	Needle Bar Ball Bushing (lower)	X	X	X
25	507379	Needle Bar Ball Bushing (lower) Socket (lower)	X	X	X
26	44473	Needle Bar Ball Bushing (lower) Adjusting Screw	X	X	X
27	37943	Needle Bar Gib	X	X	X
28	141803-830	Needle Bar Ball Bushing (lower) Adjusting Screw Set Screw	X	X	X
29	141808-451	Needle Clamp Body, Needle Clamp Thread Guide & Needle Stop Screw	X	X	X
30	445756	Needle Clamp Thread Guide	X	X	X
31	N2020	Needle (Size No. 14)	X	X	X
32	445142	Needle Clamp Body	X	X	X
33	141942-825	Needle Thumb Screw	X	X	X
34	445143	Needle Clamp Complete	X	X	X
35	445694	Thread Snubber Complete	X	X	X
36	354472-451	Thread Snubber (adjustable) Screw	X	X	X
37	141920-452	Thread Snubber Bracket Mounting Screw	X	X	X
38	445224	Needle Bar Connecting Link	X	X	X
38	44719	Needle Bar Connecting Link (alternate to No. 445224)	X	X	X
39	446260	Thread Take-up Stud	X	X	X
40	44472	Thread Take-up Lever Link Hinge Stud Retaining Ring (left & right)	X	X	X
41	445797	Thread Take-up Lever	X	X	X
42	445798	Thread Take-up Lever Complete	X	X	X
43	446798	Thread Take-up Lever Link Hinge Stud	X	X	X
44	141803-830	Thread Take-up Lever Link Hinge Stud Set Screw	X	X	X
45	445486	Thread Take up Stud Retaining Ring	X	X	X

# NEEDLE BAR AND THREAD TAKE-UP



# PRESSER BAR AND PRESSURE REGULATOR



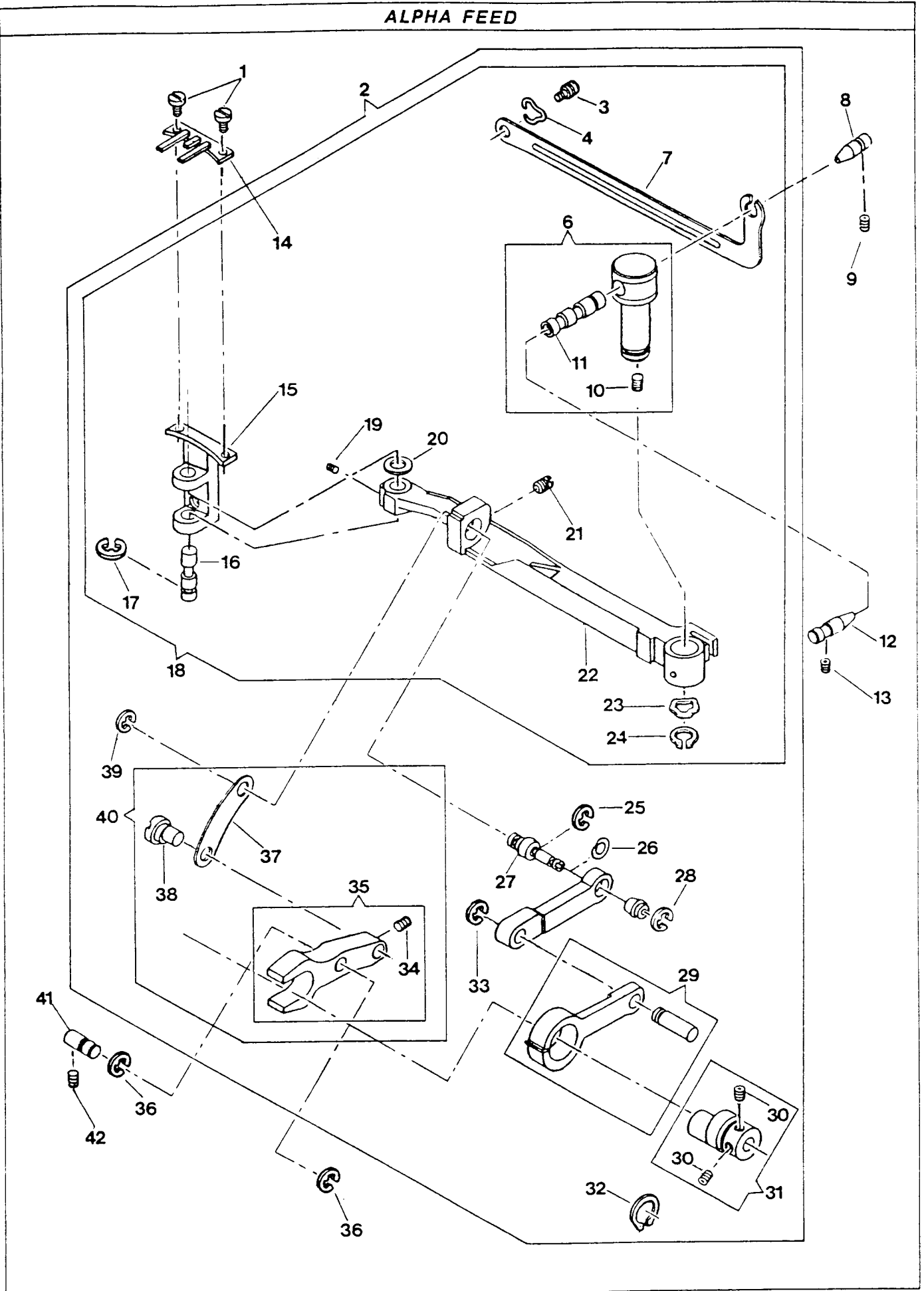




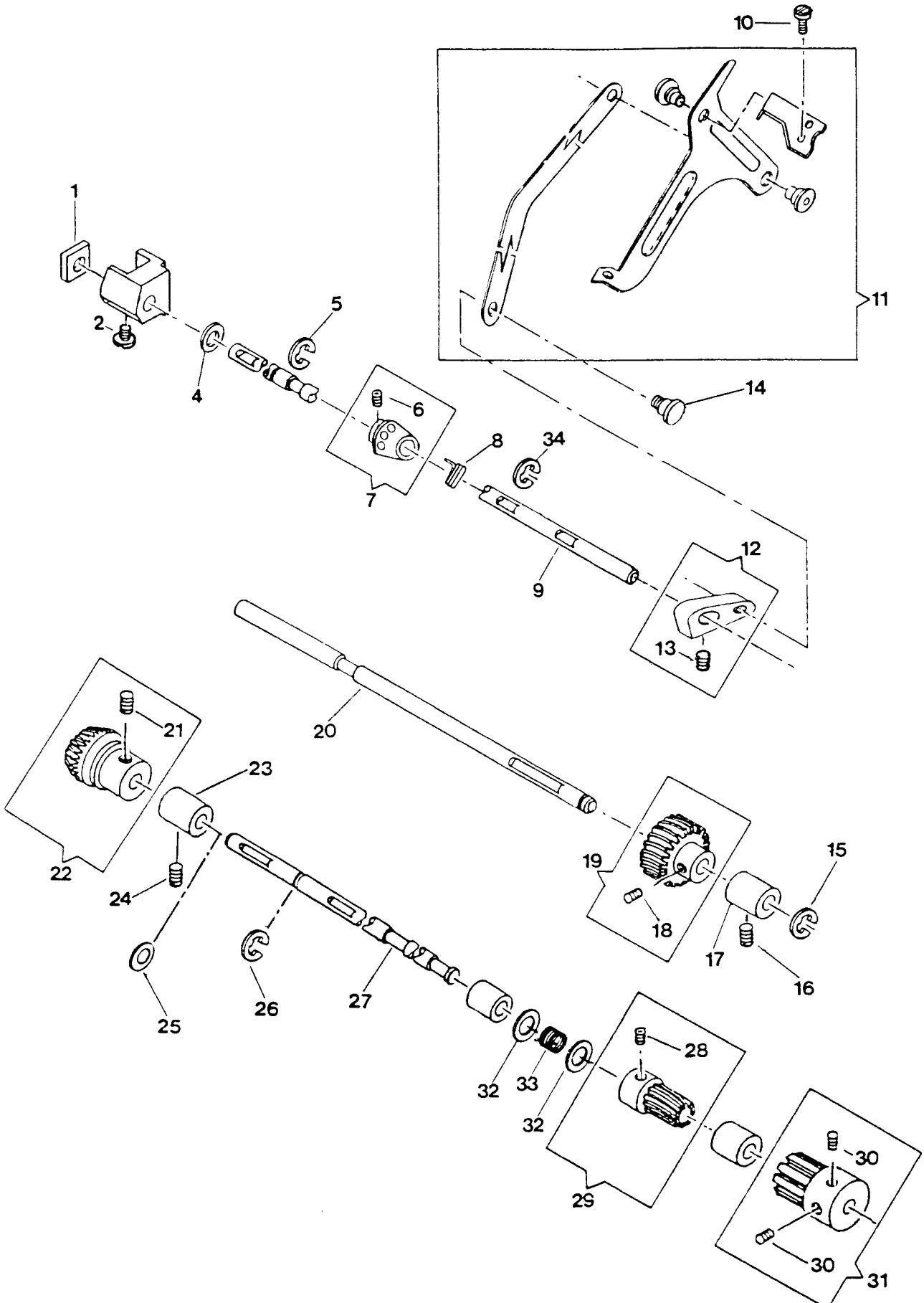
ALPHA FEED

REF. NO.	PART NO.	DESCRIPTION	2	2
			9	9
			2	0
			9	C
			0	1
			C	3
1	544103	Feed Dog Screw (2)	X	X
2	445823	Feed Bar Complete	X	X
3	544102	Feed Dog Holder Compensating Link Screw Stud	X	X
4	312284	Feed Dog Holder Compensating Link Retaining Spring	X	X
6	408272	Feed Bar Pivot Hinge Stud	X	X
7	174216	Feed Dog Holder Compensating Link	X	X
8	408280	Feed Bar Pivot Hinge Stud Adjusting Pin (eccentric) Center (back)	X	X
9	544101	Feed Bar Pivot Hinge Stud Adjusting Pin (eccentric) Center (back) Set Screw	X	X
10	544099	Feed Bar Pivot Hinge Stud Lock Screw	X	X
11	511038	Feed Bar Pivot Hinge Stud Adjusting Pin (eccentric)	X	X
12	511233	Feed Bar Pivot Hinge Stud Adjusting Pin (eccentric) Center (front)	X	X
13	549358-451	Feed Bar Pivot Hinge Stud Adjusting Pin (eccentric) Center (front) Set Screw	X	X
14	445802	Feed Dog	X	X
15	408275	Feed Dog Holder	X	X
16	511052	Feed Dog Holder Stud	X	X
17	511213	Feed Dog Holder Stud Retaining Ring	X	X
18	445822	Feed Bar Assembly	X	X
19	544100	Feed Dog Holder Stud Screw	X	X
20	511210	Feed Dog Holder Washer	X	X
21	549308	Feed Bar Connection & Feed Lifting Fork Connection Hinge Stud (eccentric) Set Screw	X	X
22	408270	Feed Bar	X	X
23	511211	Feed Bar Pivot Hinge Stud Spring Washer	X	X
24	511413	Feed Bar Pivot Hinge Stud Retaining Ring	X	X
25	511213	Feed Bar Connection & Feed Lifting Fork Connection Hinge Stud (eccentric) Retaining Ring	X	X
26	507722	Feed Bar Connection & Feed Lifting Fork Connection Hinge Stud (eccentric) Spring Washer	X	X
27	511044	Feed Bar Connection & Feed Lifting Fork Connection Hinge Stud (eccentric)	X	X
28	319561	Feed Bar Connection Ball Bearing Retaining Ring	X	X
29	408278	Feed Regulator Slide Block Drive Connection	X	X
30	549293	Feed Lifting Cam & Feed Eccentric Set Screw	X	X
31	408563	Feed Lifting Cam & Feed Eccentric	X	X
32	174277	Feed Lifting Cam & Feed Eccentric Retaining Ring	X	X
33	511213	Feed Regulator Slide Block Stud Retaining Ring	X	X
34	514590-451	Feed Lifting Fork Connection Hinge Stud (eccentric) Set Screw	X	X
35	503325	Feed Lifting Fork	X	X
36	511213	Feed Lifting Fork Hinge Stud Retaining Ring	X	X
37	511016	Feed Lifting Fork Connection	X	X
38	511056	Feed Lifting Fork Connection Hinge Stud (eccentric)	X	X
39	319561	Feed Lifting Fork Connection Hinge Stud (eccentric) Retaining Ring	X	X
40	408277	Feed Lifting Fork and Feed Lifting Fork Connection	X	X
41	511057	Feed Lifting Fork Hinge Stud	X	X
42	549358	Feed Lifting Fork Hinge Stud Set Screw	X	X

ALPHA FEED



# ALPHA FEED



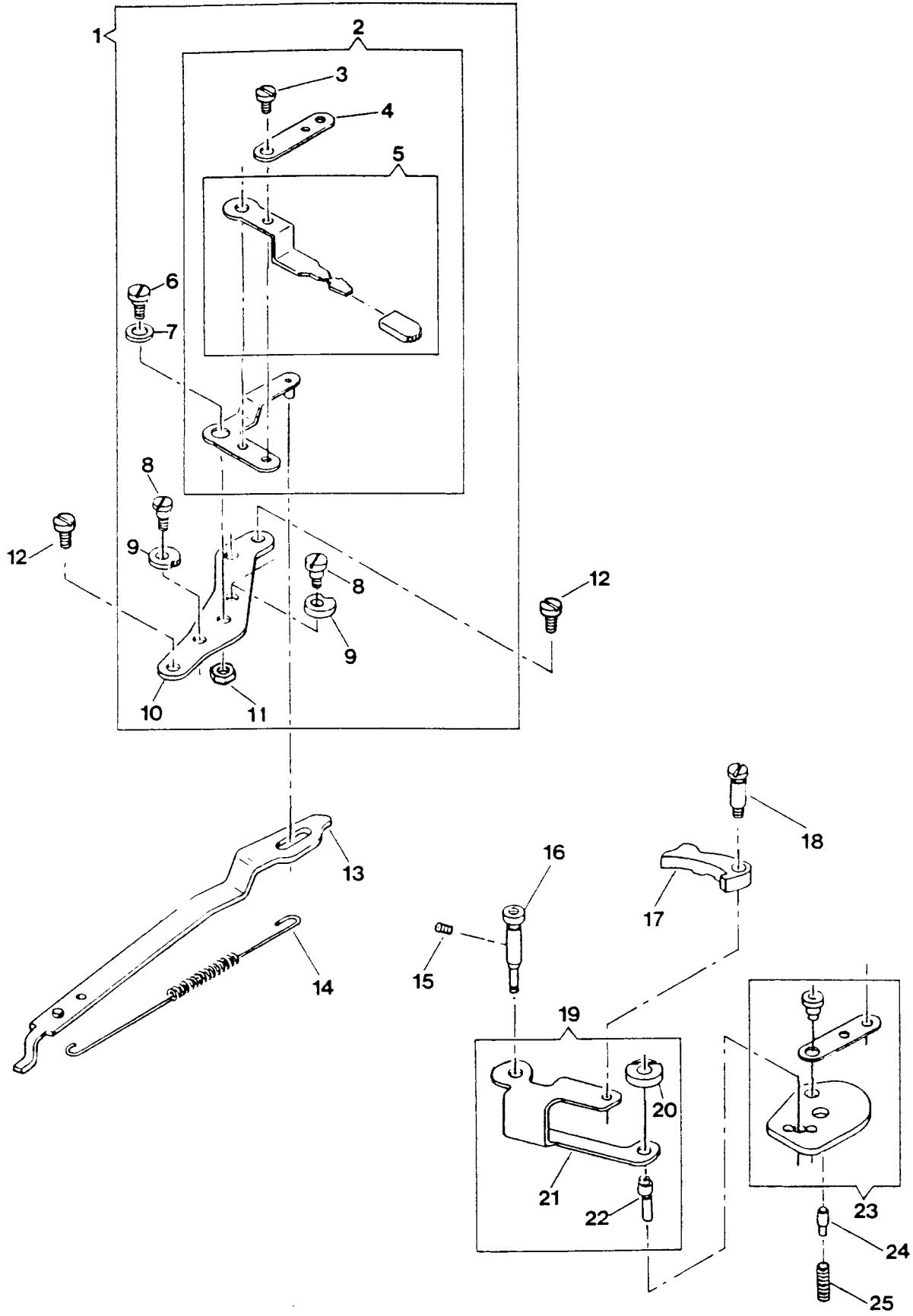
ALPHA FEED

REF. NO.	PART NO.	DESCRIPTION	2	9	2
			2	0	0
			9	C	C
			0	1	2
			C	3	3
1	511030	Feed Regulator Slide Block	X	X	X
2	500391	Feed Regulator Set Screw	X	X	X
4	409294	Feed Regulator Shaft Thrust Washer	X	X	X
5	445878	Feed Regulator Shaft Retaining Ring	X	X	X
6	544104	Feed Regulator Shaft Tension Spring Adjusting Collar Set Screw	X	X	X
7	408285	Feed Regulator Shaft Tension Spring Adjusting Collar	X	X	X
8	181906	Feed Regulator Shaft Tension Spring	X	X	X
9	445723	Feed Regulator Shaft	X	X	X
10	354552-451	Feed Regulator Control Arm Mounting Bracket Screw	X	X	X
11	445728	Feed Regulator Control Arm	X	X	X
12	445727	Feed Regulator Shaft Crank	X	X	X
13	354085-451	Feed Regulator Shaft Crank Set Screw	X	X	X
14	354073-451	Feed Regulator Control Arm Connecting Link Hinge Screw	X	X	X
15	511213	Feed Drive Shaft Retaining Ring	X	X	X
16	549358	Feed Drive Shaft Bushing Screw	X	X	X
17	383011	Feed Drive Shaft Bushing	X	X	X
18	141338-869	Feed Drive Shaft Gear (plastic) Set Screw	X	X	X
19	174491	Feed Drive Shaft Gear (plastic)	X	X	X
20	181598	Feed Drive Shaft	X	X	X
21	544207-002	Rotating Hook Drive Shaft Spirol Gear Set Screw	X	X	X
22	408910	Rotating Hook Drive Shaft Spirol Gear (plastic)	X	X	X
23	383011	Rotating Hook Drive Shaft Bushing (left)	X	X	X
24	549358	Rotating Hook Drive Shaft Bushing (left) Set Screw	X	X	X
25	181957	Rotating Hook Drive Shaft Retainer Washer	X	X	X
26	511213	Rotating Hook Drive Shaft Retaining Ring	X	X	X
27	408265	Rotating Hook Drive Shaft	X	X	X
28	141772-869	Feed Drive Shaft Driving Gear (helical, plastic) Set Screw	X	X	X
29	174488	Feed Drive Shaft Driving Gear (helical, plastic)	X	X	X
30	544098	Rotating Hook Drive Shaft Belt Pulley Set Screw	X	X	X
31	408264	Rotating Hook Drive Shaft Belt Pulley	X	X	X
32	511384	Rotating Hook Drive Compression Spring Washer (2)		X	X
33	422521	Rotating Hook Drive Shaft Compression Spring		X	X
34	444921	Feed Regulator Spring Retaining Ring	X	X	X

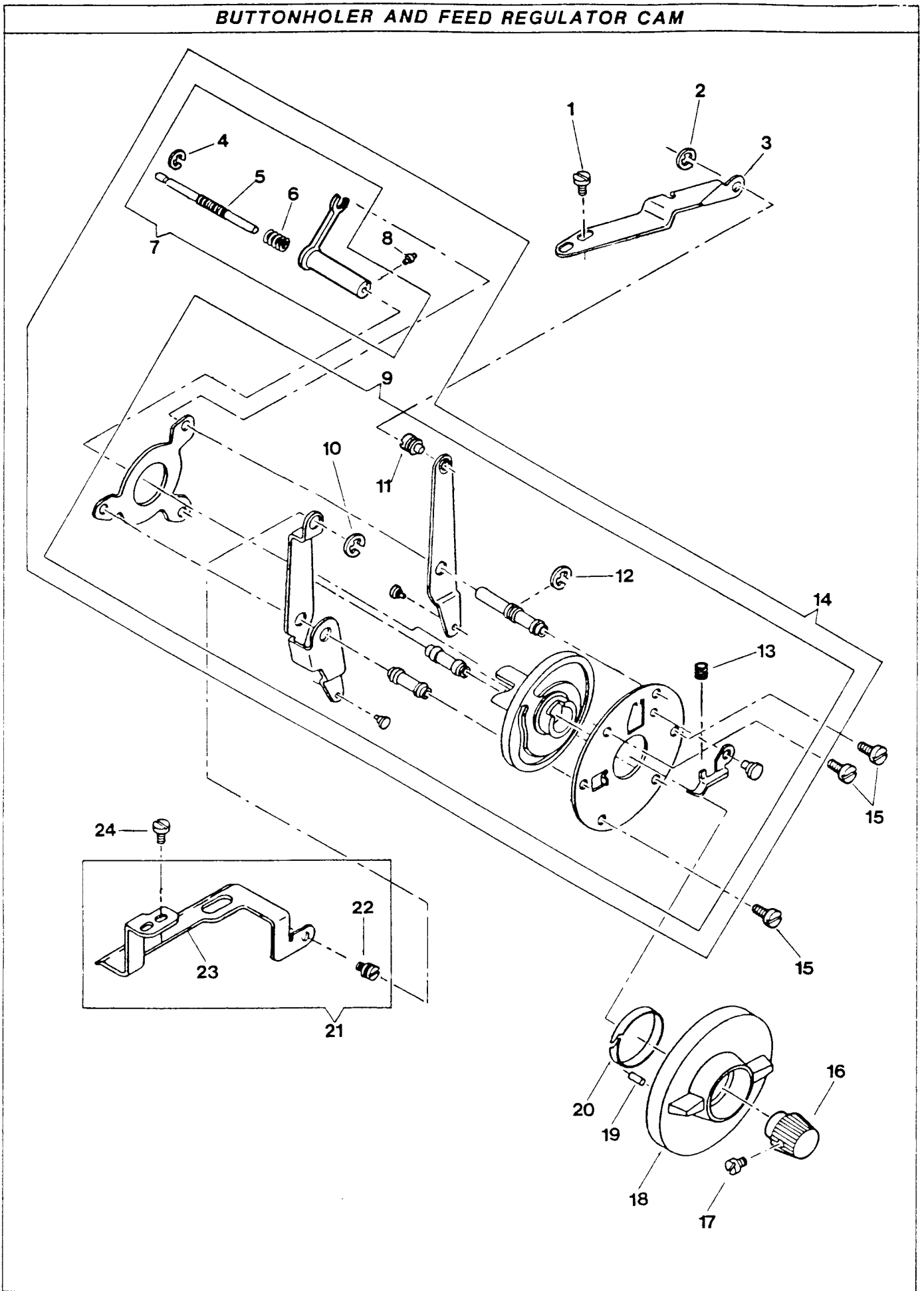
BIGHT AMPLITUDE

REF. NO.	PART NO.	DESCRIPTION	2	2
			9	9
			2	0
			9	C
			0	1
			C	3
1	445704-451	Bight Amplitude Control Lever Mounting Bracket Complete	X	
	445704-452	Bight Amplitude Control Lever Mounting Bracket Complete		X X
2	445373-452	Bight Amplitude Control Lever Complete	X	
	445373-453	Bight Amplitude Control Lever Complete		X X
3	139866-451	Bight Amplitude Control Lever Screw	X	X X
4	44556	Buttonholer Bight Control Cam Follower Lever Link (left)	X	X X
5	445372-452	Bight Amplitude Control Lever	X	
	445372-453	Bight Amplitude Control Lever		X X
6	354825-451	Bight Amplitude Control Lever Link Hinge Screw	X	X X
7	49204	Bight Amplitude Control Lever Link Hinge Screw Friction	X	X X
8	141913-451	Bight Amplitude Control Lever Link Stop Screw	X	X X
9	446904	Bight Amplitude Control Lever Link Stop	X	X X
10	445703	Bight Amplitude Control Lever Mounting Bracket	X	X X
11	54591-451	Bight Amplitude Control Lever Link Hinge Screw Nut	X	X X
12	354633-451	Bight Amplitude Control Lever Mounting Bracket Screw	X	X X
13	445706	Needle Bar Driving Arm	X	X X
14	445707	Needle Bar Driving Arm Tension Spring	X	X X
15	141803-830	Needle Bar Driving Arm Slide Bracket Hinge Stud & Arm Top	X	X X
		Cover Screw (left) Mounting Stud Set Screw	X	X X
16	445250	Needle Bar Driving Arm Slide Bracket Hinge Stud & Arm Top		
		Cover Screw (left) Mounting Stud	X	X X
17	445708	Needle Bar Driving Arm Slide		
18	354642-451	Needle Bar Driving Arm Slide Hinge Screw	X	X X
19	445332	Needle Bar Driving Arm Slide Bracket Complete	X	X X
20	179739-451	Needle Position Selector Bracket Follower Screw Stud (Ecc.)	X	X X
		Nut	X	X X
21	445331	Needle Bar Driving Arm Slide Bracket		
22	445347	Needle Position Selector Bracket Follower Screw Stud (Ecc.)	X	X X
23	445329	Needle Position Selector Bracket Complete	X	X X
24	319690	Needle Position Selector Bracket Positioning Pin	X	X X
25	444800	Needle Position Selector Bracket Positioning Pin Spring	X	X X

# BIGHT AMPLITUDE AND NEEDLE POSITION



# BUTTONHOLER AND FEED REGULATOR CAM



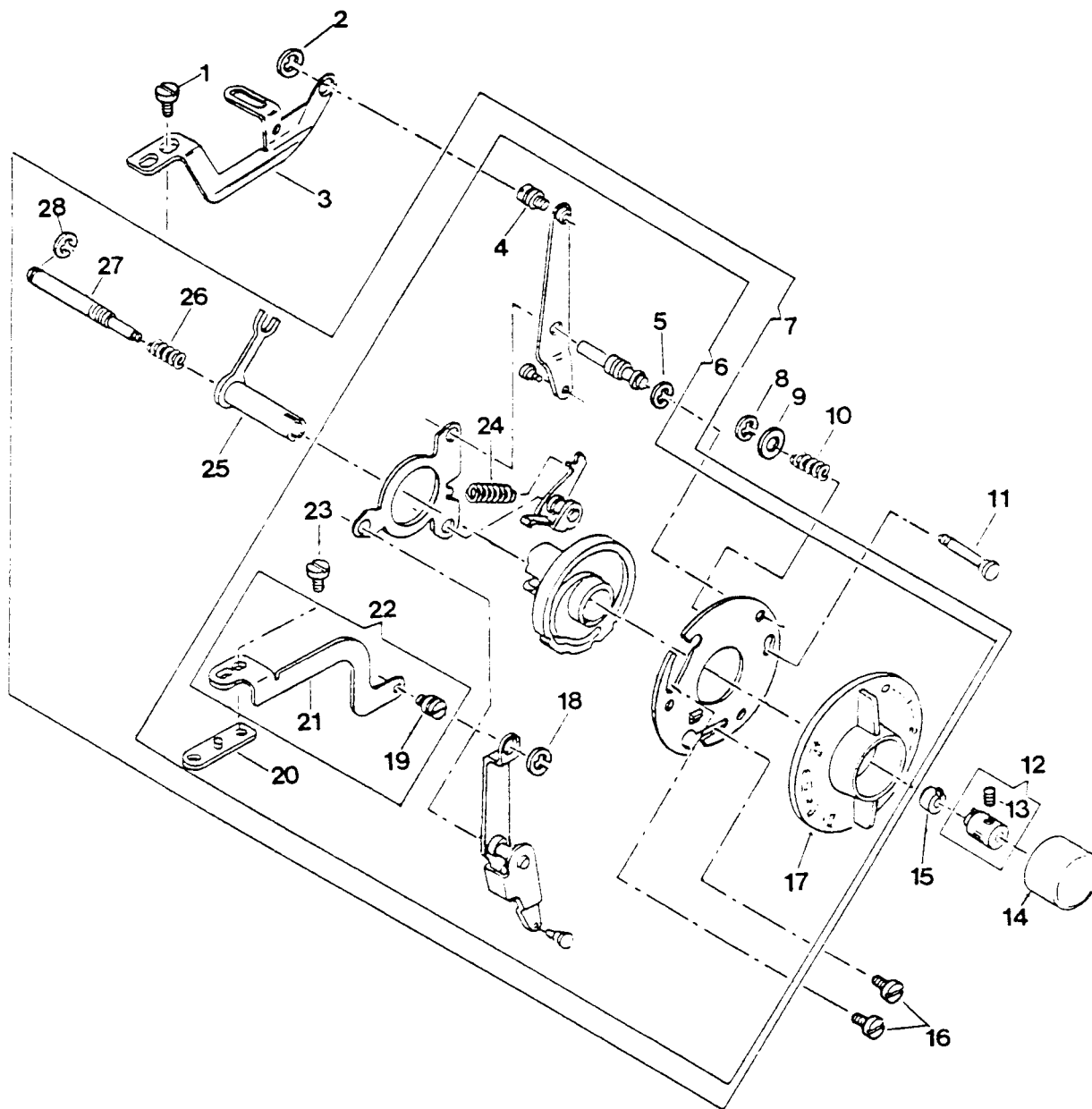




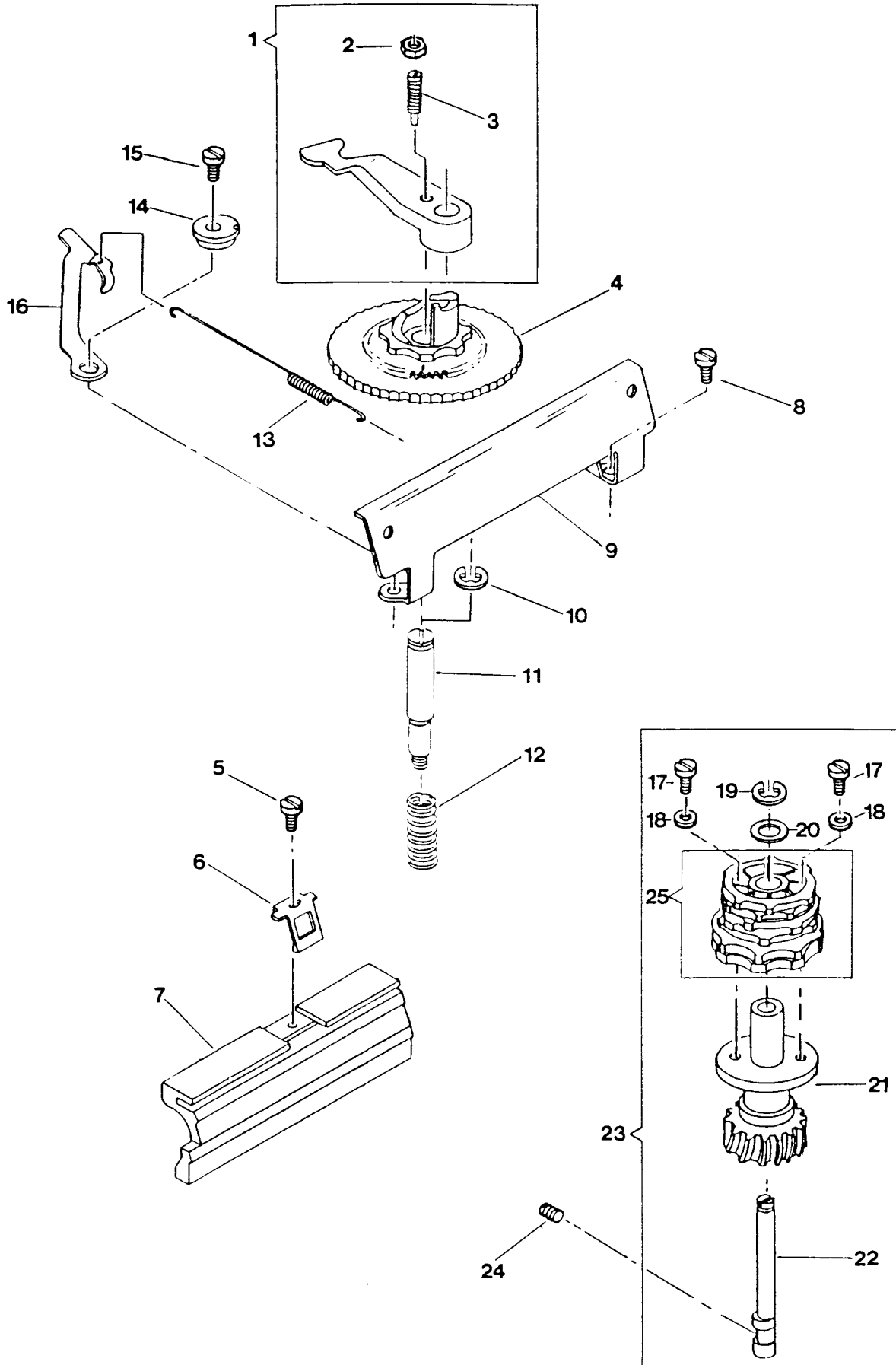
BUTTONHOLER & FEED REGULATOR CAM

REF. NO.	PART NO.	DESCRIPTION	2	2
1	141913-451	Buttonholer Bight Control Cam Follower Lever Link (left & right) Screw	X	X X
2	445486	Buttonholer Needle Position Cam Follower Lever Link (right) Retaining Ring	X	X X
3	445712	Buttonholer Needle Position Cam Follower Lever Link (right)	X	X X
4	354665-451	Buttonholer Needle Position Cam Follower Lever Link (right) Hinge Screw	X	X X
5	44472	Buttonholer Needle Position Cam Follower Lever Retaining Ring	X	X X
6	446167-451	Buttonholer & Feed Regulator Cam	X	
	446167-453	Buttonholer & Feed Regulator Cam		X X
7	446168-451	Buttonholer & Feed Regulator Cam Complete	X	
	446168-453	Buttonholer & Feed Regulator Cam Complete		X X
8	446008	Buttonholer & Feed Regulator Mechanism Mounting Plate Stud Retaining Ring	X	X X
	14494	Buttonholer & Feed Regulator Mechanism Mounting Plate Stud Retaining Ring (alternate to No. 446008)	X	X X
9	445938	Buttonholer & Feed Regulator Mechanism Mounting Plate Stud Spring Washer	X	X X
10	445937	Buttonholer & Feed Regulator Mechanism Mounting Plate Stud Spring	X	X X
11	445936	Buttonholer & Feed Regulator Mechanism Mounting Plate Stud	X	X X
12	446165	Feed Regulator Positioning Pin Knob Adaptor	X	X X
13	354865-451	Feed Regulator Positioning Pin Knob Adaptor Set Screw	X	X X
14	446203-452	Feed Regulator Positioning Pin Knob	X	
	446203-453	Feed Regulator Positioning Pin Knob		X X
15	445945	Reverse Feed Cam Follower	X	X X
16	354858-451	Buttonholer & Feed Regulator Mechanism Mounting Plate Screw	X	X X
17	446163-451	Buttonholer & Feed Regulator Control Dial	X	
	446163-453	Buttonholer & Feed Regulator Control Dial		X X
18	445486	Buttonholer Bight Control Cam Follower Lever Retaining Ring	X	X X
19	354665-451	Buttonholer Bight Control Cam Follower Lever Link (right) Hinge Screw	X	X X
20	44556	Buttonholer Bight Control Cam Follower Lever Link (left)	X	X X
21	445710	Buttonholer Bight Control Cam Follower Lever Link (right)	X	X X
22	445711	Buttonholer Bight Control Cam Follower Lever Link (right) Complete	X	X X
23	141913-451	Buttonholer Needle Position Cam Follower Lever Link (left & right) Screw	X	X X
24	44547	Buttonholer & Feed Regulator Control Dial Pawl Spring	X	X X
25	445941	Feed Regulator Positioning Pin Carrier with Molded Plastic Cam Follower	X	X X
	446259	Feed Regulator Positioning Pin Carrier with Molded Plastic Cam Follower (alternate to No. 445941)	X	X X
26	44612	Feed Regulator Positioning Pin Friction Spring	X	X X
27	446166	Feed Regulator Positioning Pin	X	X X
28	445721	Feed Regulator Positioning Pin Friction Spring Retaining Ring	X	X X

# BUTTONHOLER AND FEED REGULATOR CAM



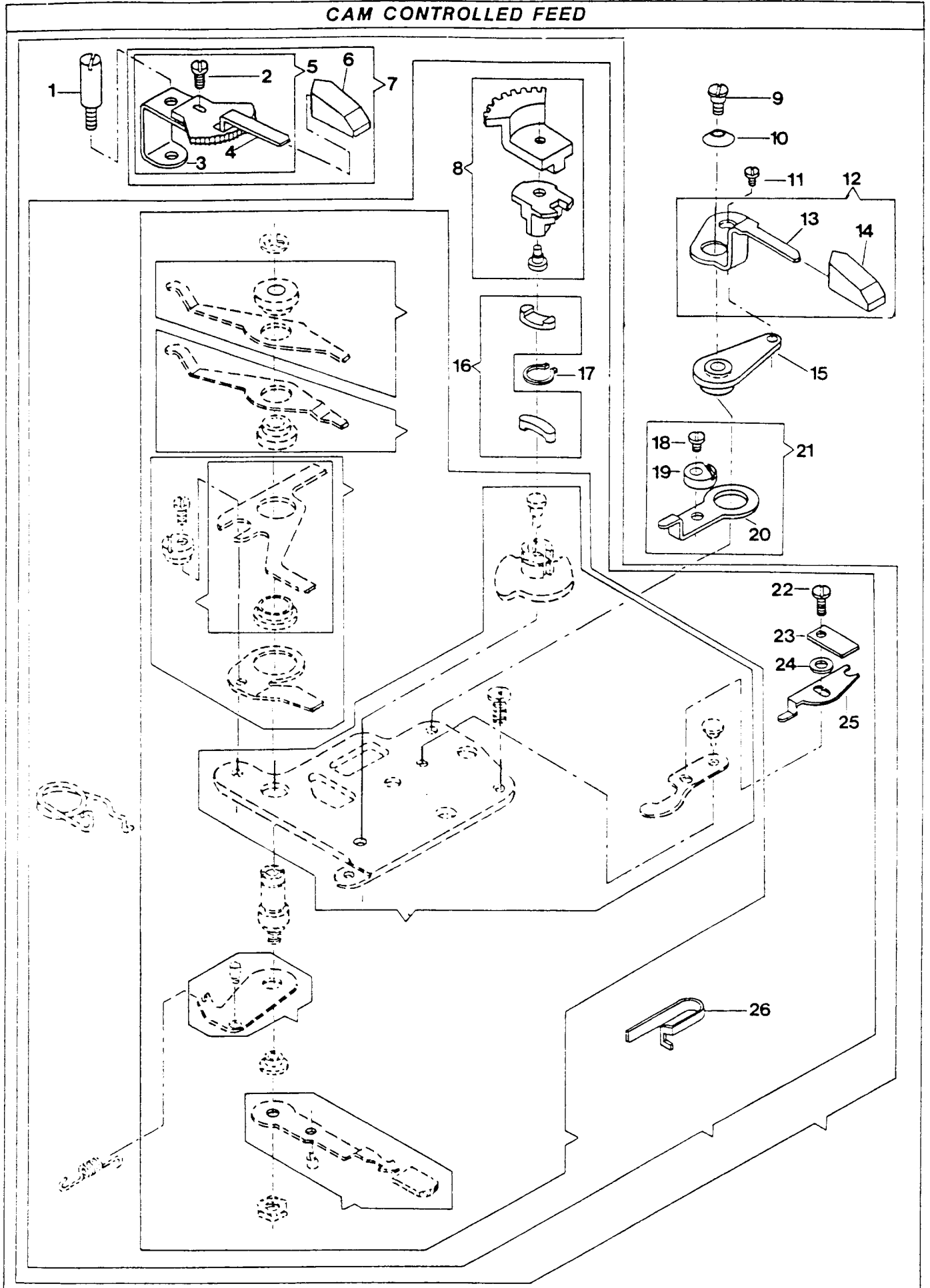
PATTERN SELECTOR AND DISC STACK







# CAM CONTROLLED FEED









ELECTRICAL PARTS

REF. NO.	PART NO.	DESCRIPTION	2	2	AUSTRALIA
			9	9	
			0	0	
			C	C	
			1	2	
			3	3	
1	445499	Light Lead Clip	X	X	X
2	988006-001	Light Complete	X		
	988006-002	Light Complete		X	
	988006-003	Light Complete			X
	988006-004	Light Complete			X
3	988076-002	Lamp (115V)	X	X	
	988076-004	Lamp (220V)			X
	194120-017	Lamp (240V)			X
4	354633-451	Light Lead Shield & Needle Bar Driving Arm Tension Spring			
		Mounting Plate Screw	X	X	X
5	445780	Light Lead Shield & Needle Bar Driving Arm Tension Spring			
		Mounting Plate	X	X	X
6	988062-001	Motor Complete - RAC20-8 (110V)	X		
	988368-005	Motor Complete - RAC21-8 (115V)		X	
	988368-006	Motor Complete - RAC21-11 (220V)			X
	988368-007	Motor Complete - RAC21-12 (240V)			X
7	514509	Pulley Set Screw	X	X	X
8	604431-002	Pulley	X	X	X
9	604228-001	Motor Adjusting Block	X	X	X
10	544122	Motor Adjusting Stud (Eccentric)	X	X	X
11	408460	Motor Adjusting Stud (Eccentric) Complete	X	X	X
13	541157	Motor Adjusting Stud (Eccentric) Nut	X	X	X
14	603975	Motor Drive Belt	X	X	X
15	382330	Light Switch Actuating Bracket Spring Clip	X	X	X
16	445872	Light Switch Actuating Bracket (Plastic)	X		X
	446328	Light Switch Actuating Bracket (Plastic)		X	X
17	542654	Motor Hinge Pin (Right)	X	X	X
18	511213	Motor Hinge Pin (Right) Retaining Ring	X	X	X
19	604229-001	Bushing (2)	X	X	X
20	445730	Light Switch Actuating Rocker Button Bracket	X	X	X
21	354654-451	Light Switch Actuating Rocker Button Bracket Screw	X	X	X
22	604759-001	Controller Complete (110V) CR-304	X		
	988275-007	Controller Complete (115V) CR-513 (UL)		X	
	988275-009	Controller Complete (115V) CR-513 (CSA)		X	
	988275-021	Controller Complete (220V) CR-513			X
	988275-024	Controller Complete (240V) CR-513 (UK)			X
	988275-026	Controller Complete (240V) CR-513			X
23	445731	Light Switch Actuating Rod	X	X	X
24	445757-451	Light Switch Actuating Rocker Button	X		
	445757-452	Light Switch Actuating Rocker Button		X	X
25	445899	Light Switch Actuating Rocker Button Pin	X	X	X
26	445732-451	Light Switch Actuating Rocker Button Complete	X		
	445732-452	Light Switch Actuating Rocker Button Complete		X	X
27	4444767	Light Switch Actuating Rod Washer	X	X	X
28	542653	Motor Hinge Pin (Left)	X	X	X
29	544104	Motor Hinge Pin (Left) Set Screw	X	X	X
30	605087	Motor Bracket	X	X	X
31	446262	Light Switch Actuating Rocker Button Bracket Screw Washer	X	X	X

ELECTRICAL EQUIPMENT

